

ESSENTIAL LINE



BLOCKBOARD CABINS • SYSTEM CABINS • GARAGES • ACCESSORIES

CONTENTS



LASITA MAJA 2

Your garden cabin	4
About Lasita Maja	6
Our colours	8

SYSTEM CABINS 10

Kibo	14
Palermo	12
Tuvalu	19
Zambezi	16
Zambezi XL	18

BLOCK CABINS WITH GABLE ROOF 20

Axel	27
Baltimore	24
Boston	30
Carroz	33
Dallas	29
Ebro	28
Keila	39
Ingo	23
Lola	36
Luna	37
Morava	23
Nina	22
Norah	25
Norderney	32
Orlando	26
Riverside	38
Robin	40
Udo	31
Viljandi	26
Washington	30
Wels	34
William	41

BLOCK CABINS WITH GABLE ROOF AND COVERED AREA 42

Amarillo	48
El Paso	47
Ivana	46
Kenzo	46
Kirian	44
New York	47
San Diego	45
Tulsa	49

Wibo	45
------	----

BLOCK CABINS WITH FLAT ROOF 50

Amira	58
Atlanta	55
Augusta	59
Belmont	52
Indi	53
Miami	56
Sacramento	57
San Jose	54

BLOCK CABINS WITH FLAT ROOF AND COVERED AREA 60

Buffalo	69
Columbus	68
Jelle Plus	62
Long Beach	63
New Orleans	64
Novia Plus	64
Reno	67
Saint Paul	65
St. Louis	66
Tampa	65

SPECIAL GARDEN CABINS 70

Bari	74
Jura	72

GARAGES 76

Dillon	79
Mauritius	78
Yarik	79

ACCESSORIES 80

Doors	82
Windows	84
Accessories	86

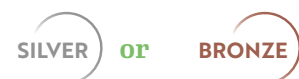
GOOD TO KNOW 90

CARE INSTRUCTIONS 91



OPTIMISED QUALITY PROVEN PRODUCTS MADE EVEN BETTER

We have optimised the proven quality of our windows and doors. Please note the corresponding symbol for the respective cabins:



SILVER

How you benefit

Windows:

- Single glazing 4 mm
- Window frame in double glued spruce, already pre-installed
- Window drip cap in wood
- Window opens inward
- Fittings pre-installed

Door:

- Door frame pre-installed
- Door frame in double glued spruce
- Including screw-in hinges and milled locks
- Door incl. cylinder lock
- Door threshold wood or aluminium, depending on model
- Code: SGC/MGC
- Roof boards 15 or 18-mm thick



SNAP & WATCH

BRONZE

How you benefit

Windows:

- Single glazing 4 mm
- Window frame in glued spruce, already pre-installed
- Window drip cap in wood
- Window opens inward
- Fittings not pre-installed

Door:

- Door frame not pre-installed
- Door frame in glued spruce
- Including pre-installed screw-on hinges and simple locks
- Door incl. cylinder lock
- Door threshold on selected models in aluminium
- Code: SGA
- Roof boards 15-mm thick



SNAP & WATCH

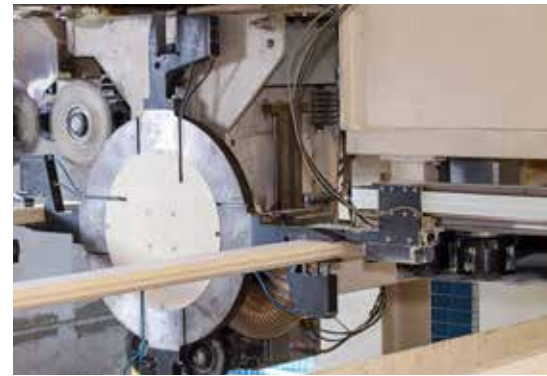
Lasita Maja.

MORE THAN 20 YEARS OF QUALITY

EVERY GARDEN CABIN BEGINS WITH A DREAM.

It's your dream. At Lasita Maja, we just bring it to life.

As an experienced manufacturer of high-quality blockboard cabins, we produce children's playhouses, pavilions, garages and individual holiday homes, as well as classic garden cabins. To do this, we use the best wood and combine modern and gentle processing technology with traditional craftsmanship and secure packaging. We are well aware that high quality equals happy customers. And if there's one thing that matters more than most, it's getting the details right.



THE BEST QUALITY



We use only selected Nordic spruce for our garden cabins. Its flexible properties make it perfect for use as building and construction timber. Its slow growth in Europe's colder regions makes the wood particularly stable and solid. In general, wood is a sustainable, renewable raw material. As we place great value on environmentally responsible timber management, all our products in this catalogue are PEFC certified.



SNAP & LIKE

FOLLOW US ON FACEBOOK.



To ensure that we deliver a unique product, we rely on a combination of long-standing employees with a great deal of experience and modern machinery. Trained eyes inspect and sort the materials and components. Our precision machine tools saw, plane and mill the individual parts to the correct dimensions and shapes. Before being carefully and securely packed, everything undergoes a final inspection.

In order to be able to offer our customers the best quality, we have implemented a quality management system that complies with the requirements of the ISO 9001 standard. Our products also come with a 2-year or a 5-year warranty.



OUR RECIPE FOR SUCCESS: HIGH-QUALITY NORDIC RAW MATERIALS, STATE-OF-THE-ART PROCESSING AND DECADES OF EXPERIENCE.



DELIVERED TO YOUR DOOR

The assembly kit

Your garden cabin will be delivered as a complete kit in one or more packs. Comprehensive assembly instructions are included. If you do not begin assembly immediately after delivery, store your garden cabin in a dry location, protected from UV light.

Delivery

We deliver our products to your specialist dealer on request or "to the kerb" at your home for an additional charge. Delivery will be made on the agreed date using a 40-t HGV. There must be no restrictions to access for this vehicle.

Presenting:
**THE HIGH-END
 PAINT SYSTEM FOR
 GARDEN CABINS
 MADE IN ESTONIA.**



© Osmo

**STRONG PARTNERS:
 OSMO AND LASITA MAJA.**

We work with the major German brand supplier Osmo. Osmo has more than 50 years of experience with coloured wood finishes "Made in Germany". With Osmo as a partner, we are able to ensure the best possible coating, a long life and the best protection for your wood product.



The environmentally friendly water-based stain is ideal for professional use outdoors and provides lasting protection for your garden cabin.

**ALL CABINS IN 4 COLOURS.
 NO UNDERCOAT REQUIRED!**



Light grey



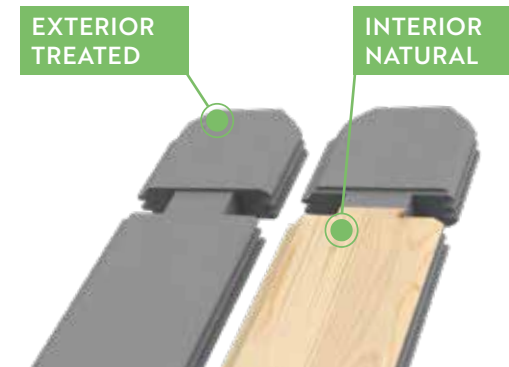
Carbon grey



Glacier green



Swedish Red



**REVERSE
 INSTALLATION**

Please note that reverse installation of coloured garden cabins is not possible due to the one-sided colour finish!

Our 4 colours

The unique, environmentally friendly, water-based stain from Osmo is ideally suited for professional use outdoors, providing lasting protection for your garden cabin. The doors, windows and cover strips are always supplied in cream white. Please note that the colours illustrated may differ from the actual finish due to the limitations of printing inks.

At a glance

- Garden cabin delivered as standard in natural state
- Environmentally friendly
- Ideal protection against weather, fungi, insect infestation, mildew and blue stain
- Paint for repairing minor damage included in delivery
- Recommended maintenance interval 5 years (depending on location, compass direction and colour), Lasita Maja warranty max. 5 years*.

The advantages of our wood treatment

- No undercoat required.
- 3-sided colour treatment of the wall boards
- Natural finish on the interior, creating a natural feeling of wellbeing inside
- Unique 6-sided colour treatment of the blockboard corner joints or blockboard heads
- Natural roof purlins and roof boards

*Find out more about our warranty conditions in the assembly instructions or at www.lasita.com.

SYSTEM CABINS.

MODERN, HIGH-QUALITY, STYLISH:
MORE THAN JUST A STOREROOM.

05

MODELS





8.7 m²

Palermo 3



13.1 m²

Palermo 2



Palermo 1

PALERMO SILVER

LARGE WINDOWS PROVIDE LOTS OF LIGHT AND DIRECT CONTACT WITH NATURE

	PALERMO 1	PALERMO 2	PALERMO 3
Item number	2853400	2853500	2854619
Base dimensions W x D	300 x 300 cm	450 x 300 cm	300 x 300 cm
Wall thickness	28 mm	28 mm	28 mm
Floor area	8.67 m ²	13.08 m ²	8.67 m ²
Volume	19.27 m ³	29.08 m ³	20.75 m ³
Side wall height	222 cm	222 cm	239 cm
Ridge height	222 cm	222 cm	239 cm
Roof area	8.90 m ²	13.32 m ²	8.90 m ²
Glazed door W x H	149.4 x 185 cm	265.8 x 185 cm	2 x 204.1 x 202.6 cm
Window size W x H	56 x 178 cm	56 x 178 cm	-
Floor, included	15 mm	15 mm	15 mm
Onduline, optional	2 x	3 x	2 x

APPROPRIATE ACCESSORIES



Onduline



Infrared heater

Other accessories can be found from page 82.



PALERMO 1



PALERMO 2



PALERMO 3



KIBO BRONZE

STYLISH CABIN WITH SKYLIGHT: PERFECT AS A STOREROOM OR WORKSHOP.



	KIBO 1	KIBO 2	KIBO 3
Item number	2851296	2851396	2851496
Base dimensions W x D	200 x 200 cm	200 x 250 cm	250 x 250 cm
Wall thickness	28 mm	28 mm	28 mm
Floor area	3.78 m ²	4.75 m ²	5.97 m ²
Volume	8.83 m ³	11.10 m ³	13.96 m ³
Side wall height	222 cm	222 cm	222 cm
Ridge height	245 cm	245 cm	245 cm
Roof overhang	10 cm	10 cm	10 cm
Roof area	5.10 m ²	6.20 m ²	7.40 m ²
Glazed door W x H	149 x 185 cm	149 x 185 cm	149 x 185 cm
Fixed window W x H	194 x 34 cm	194 x 34 cm	194 x 34 cm
Roofing felt, optional	1 x 15 m	1 x 15 m	1 x 15 m
Onduline, optional	2 x	2 x	2 x

APPROPRIATE ACCESSORIES

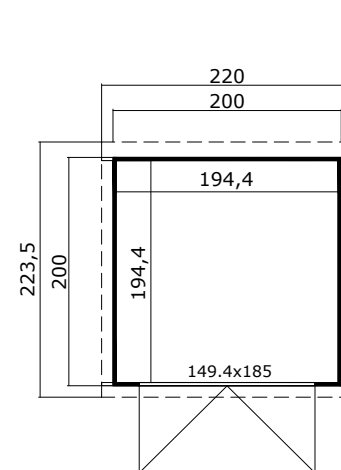


Premium roofing felt

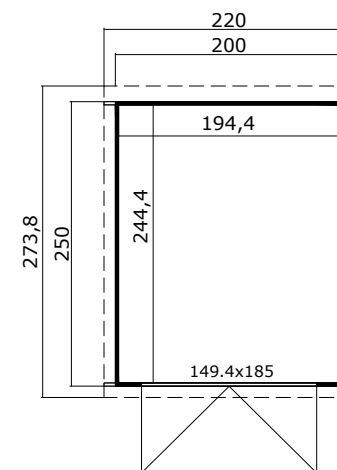


Onduline

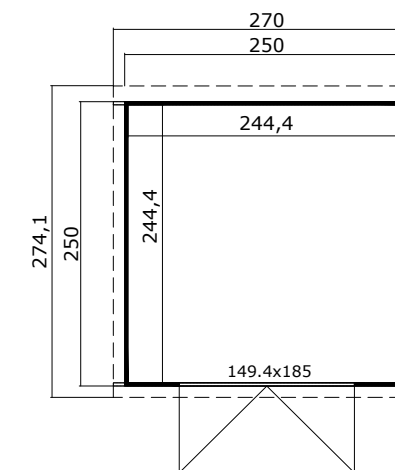
Other accessories can be found from page 82.



KIBO 1



KIBO 2



KIBO 3

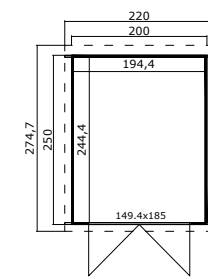


8.7 m² Zambezi 7

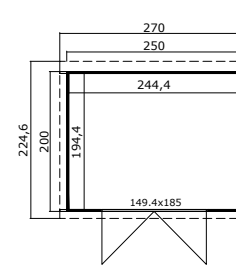
ZAMBEZI BRONZE

SMART STOREROOM FOR ALL GARDEN EQUIPMENT.

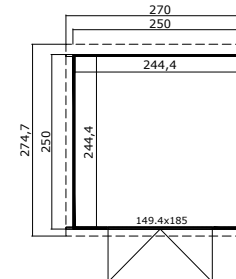
	ZAMBEZI 1	ZAMBEZI 2	ZAMBEZI 3	ZAMBEZI 4	ZAMBEZI 5	ZAMBEZI 6	ZAMBEZI 7
Item number	2846096	2846196	2846296	2846396	2846496	2847096	2847196
Base dimensions W x D	200 x 200 cm	200 x 250 cm	250 x 200 cm	250 x 250 cm	250 x 300 cm	300 x 250 cm	300 x 300 cm
Wall thickness	28 mm	28 mm	28 mm	28 mm	28 mm	28 mm	28 mm
Floor area	3.78 m ²	4.75 m ²	4.75 m ²	5.97 m ²	7.20 m ²	7.20 m ²	8.67 m ²
Volume	7.75 m ³	9.75 m ³	9.75 m ³	12.26 m ³	14.76 m ³	14.76 m ³	17.78 m ³
Side wall height	200 cm	200 cm	200 cm	200 cm	200 cm	200 cm	200 cm
Ridge height	211 cm	211 cm	211 cm	211 cm	211 cm	211 cm	211 cm
Roof overhang	10 cm	10 cm	10 cm	10 cm	10 cm	10 cm	10 cm
Roof area	4.95 m ²	6.05 m ²	6.08 m ²	7.43 m ²	8.78 m ²	8.80 m ²	10.40 m ²
Double door W x H	149 x 185 cm	149 x 185 cm	149 x 185 cm	149 x 185 cm	149 x 185 cm	149 x 185 cm	149 x 185 cm
Floor, optional	1 x 3 / 1 x 1.5 m ²	2 x 3 m ²	2 x 3 m ²	3 x 3 m ²	2 x 3 / 1 x 1.5 m ²	2 x 3 / 1 x 1.5 m ²	3 x 3 m ²
Roofing felt, optional	1 x 10 m	1 x 10 m	1 x 10 m	1 x 10 m	1 x 15 m	1 x 15 m	1 x 15 m



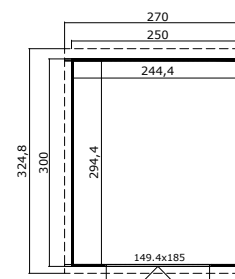
ZAMBEZI 2



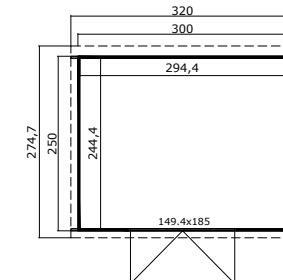
ZAMBEZI 3



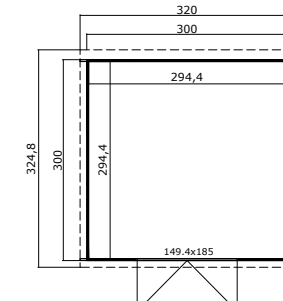
ZAMBEZI 4



ZAMBEZI 5



ZAMBEZI 6



ZAMBEZI 7

	ZAMBEZI ANBAU 1	ZAMBEZI ANBAU 2	ZAMBEZI ANBAU 3
Item number	9906000	9906100	9906200
Base dimensions W x D	250 x 200 cm	250 x 250 cm	250 x 300 cm
Wall thickness	28 mm	28 mm	28 mm
Floor area	4.75 m ²	5.97 m ²	7.20 m ²
Volume	9.75 m ³	12.26 m ³	14.76 m ³
Side wall height	200 cm	200 cm	200 cm
Ridge height	211 cm	211 cm	211 cm
Roof overhang	10 cm	10 cm	10 cm
Roof area	5.80 m ²	7.10 m ²	8.40 m ²
Roofing felt, optional	1 x 10 m	1 x 10 m	1 x 10 m



8.8 m²

ZAMBEZI XL BRONZE

BEAUTIFUL CABIN WITH TWO ROOMS, PERFECT FOR PLAYING AND LIVING.

ZAMBEZI XL	
Item number	2851696
Base dimensions W x D	380 x 240
Wall thickness	28 mm
Floor area	8.78 m ²
Volume	18.01 m ³
Side wall height	200 cm
Ridge height	211 cm
Roof overhang	10 cm
Roof area	10.53 m ²
Glazed double door W x H	149 x 185 cm
Glazed single door W x H	149 x 185 cm
Floor, optional	3 x 3 m ² / 1 x 1.5 m ²
Roofing felt, optional	1 x 15 m

APPROPRIATE ACCESSORIES

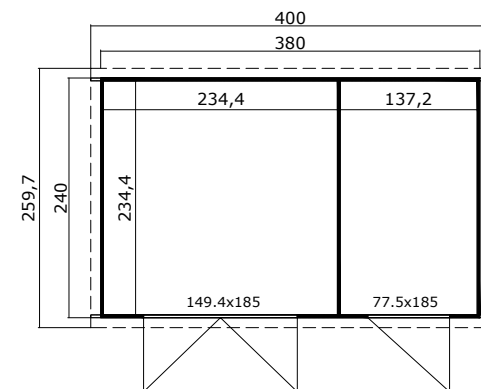


Premium roofing felt



Onduline

Other accessories can be found from page 82.



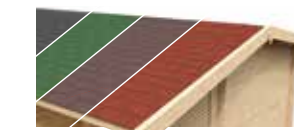
14.6 m²

TUVALU XL BRONZE

SPACIOUS GARDEN CABIN WITH TWO STORAGE SPACES.

TUVALU XL	
Item number	2848500
Base dimensions W x D	500 x 300 cm
Wall thickness	28 mm
Floor area	14.56 m ²
Volume	33.60 m ³
Side wall height	211 cm
Ridge height	251 cm
Roof overhang	15.60 cm
Roof area	18.40 m ²
Double door W x H	149 x 185 cm
Single door W x H	78 x 185 cm
Floor, included	15 mm
Roofing felt, optional	2 x 15 m
Roof shingles (pack), optional	8

APPROPRIATE ACCESSORIES

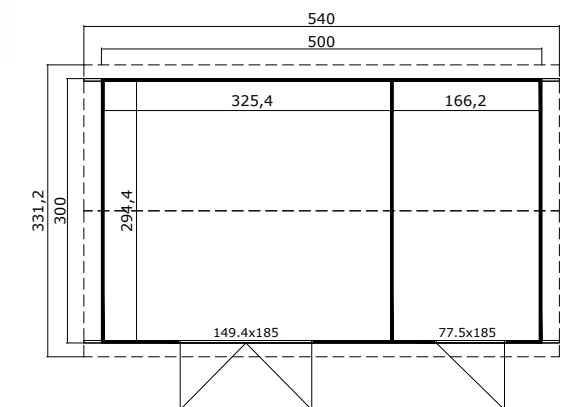


Roof shingles in various colours



Gutter

Other accessories can be found from page 82.



BLOCK CABINS WITH GABLE ROOF.

RETHINKING A CLASSIC LOOK.
SOLID,
MODERN,
ATTRACTIVE,
ROMANTIC.

22

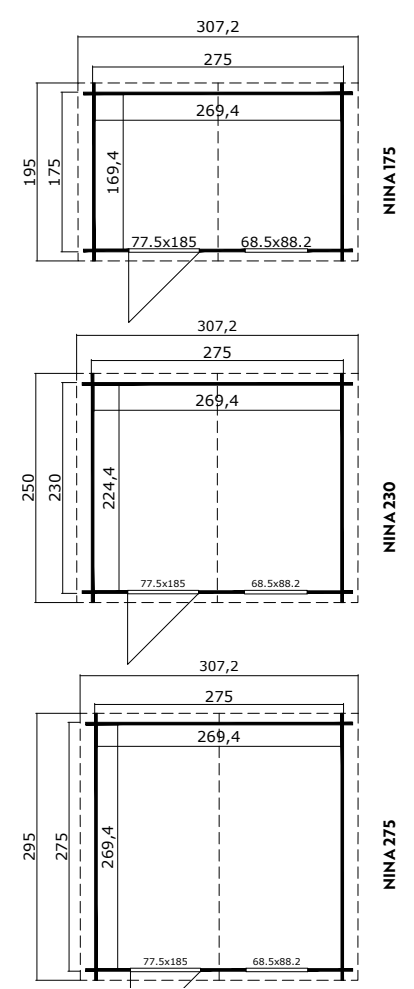
MODELS





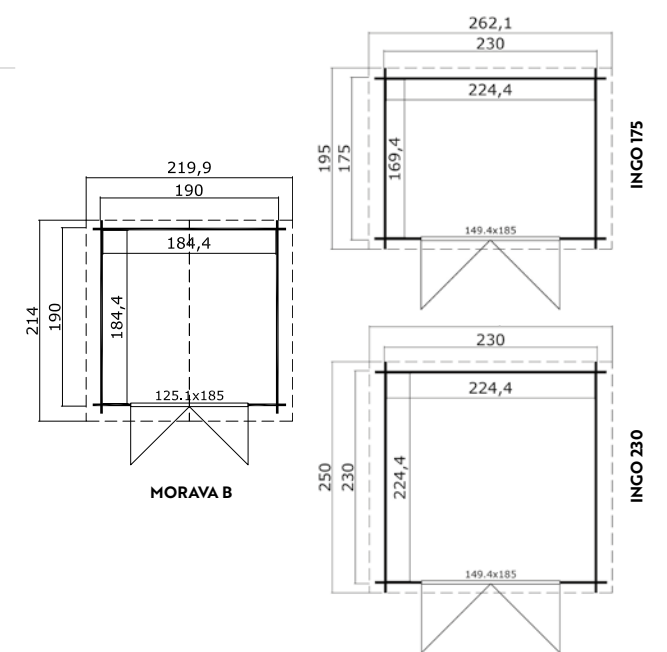
NINA BRONZE
**BRIGHT CABIN,
 PERFECT AS A WORKROOM.**

	NINA 175	NINA 230	NINA 275
Item number	2834450	2834550	2834650
Base dimensions W x D	275 x 175 cm	275 x 230 cm	275 x 275 cm
Wall thickness	28 mm	28 mm	28 mm
Floor area	4.56 m ²	6.05 m ²	7.26 m ²
Volume	9.75 m ³	12.92 m ³	15.51 m ³
Side wall height	194 cm	194 cm	194 cm
Ridge height	234 cm	234 cm	234 cm
Roof overhang	10 cm	10 cm	10 cm
Roof area	6.24 m ²	8 m ²	9.44 m ²
Single door W x H	78 x 185 cm	78 x 185 cm	78 x 185 cm
Single window W x H	69 x 88 cm	69 x 88 cm	69 x 88 cm
Floor, optional	2 x 3 m ²	2 x 3 / 1 x 1.5 m ²	2 x 3 / 1 x 1.5 m ²
Roofing felt	Included	Included	Included
Roof shingles, optional (pack)	3	4	4



INGO, MORAVA BRONZE
**WITH WIDE DOOR FOR
 LARGE EQUIPMENT.**

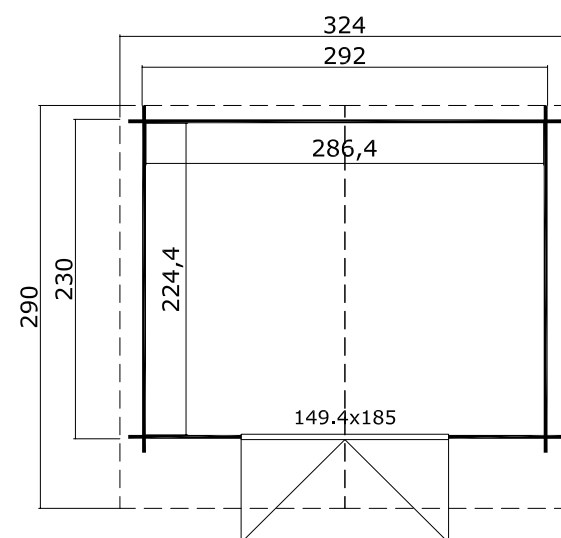
	INGO 175	INGO 230	MORAVA B
Item number	2833850	2833950	2810650
Base dimensions W x D	230 x 175 cm	230 x 230 cm	190 x 190 cm
Wall thickness	28 mm	28 mm	28 mm
Floor area	3.80 m ²	5.04 m ²	3.40 m ²
Volume	7.91 m ³	10.48 m ³	6.88 m ³
Side wall height	194 cm	194 cm	182 cm
Ridge height	222 cm	222 cm	222 cm
Roof overhang	10 cm	10 cm	16 cm
Roof area	5.26 m ²	6.75 m ²	5.14 m ²
Double door W x H	149 x 185 cm	149 x 185 cm	125 x 185 cm
Floor, optional	2 x 3 m ²	2 x 3 m ²	1 x 3 / 1 x 1.5 m ²
Roofing felt, optional	Included	Included	1 x 10 m
Roof shingles, optional (pack)	3	3	3





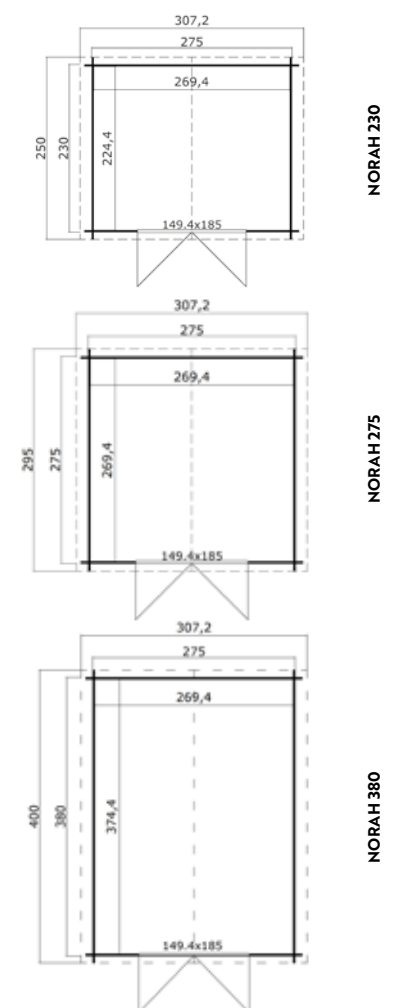
BALTIMORE BRONZE COMPACT FOR SMALL SITES.

BALTIMORE	
Item number	2825150
Base dimensions W x D	292 x 230 cm
Wall thickness	28 mm
Floor area	6.43 m ²
Volume	13.37 m ³
Side wall height	194 cm
Ridge height	222 cm
Roof overhang	50 cm
Roof area	9.57 m ²
Double door W x H	149 x 185 cm
Floor, optional	2 x 3 / 1 x 1.5 m ²
Roofing felt	Included
Roof shingles, optional (pack)	4



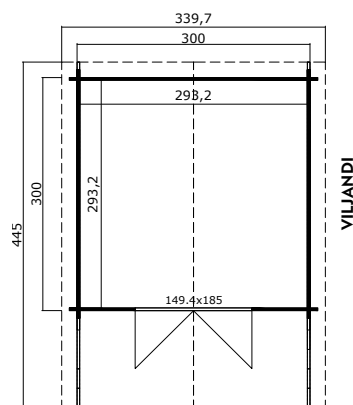
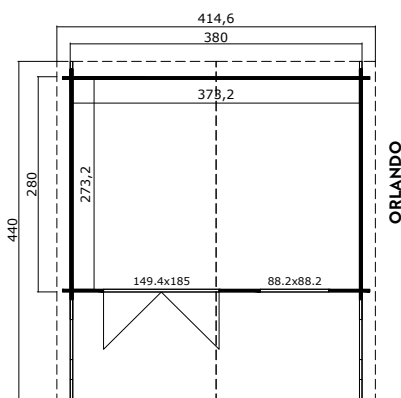
NORAH BRONZE ENOUGH SPACE FOR ALL YOUR TOYS

	NORAH 230	NORAH 275	NORAH 380
Item number	2835050	2835150	2850550
Base dimensions W x D	275 x 230 cm	275 x 275 cm	275 x 380 cm
Wall thickness	28 mm	28 mm	28 mm
Floor area	6.05 m ²	7.26 m ²	10.09 m ²
Volume	12.92 m ³	15.51 m ³	21.56 m ³
Side wall height	194 cm	194 cm	194 cm
Ridge height	234 cm	234 cm	234 cm
Roof overhang	10 cm	10 cm	10 cm
Roof area	8.00 m ²	9.44 m ²	12.08 m ²
Double door W x H	149 x 185 cm	149 x 185 cm	149 x 185 cm
Floor, optional	Included, 15 mm	3 x 3 m ²	3 x 3 m ²
Roofing felt	Included	Included	Included
Roof shingles, optional (pack)	4	7	5





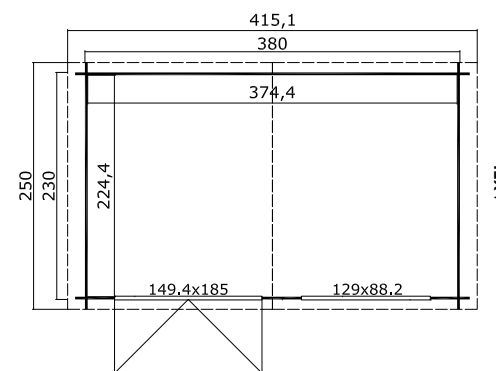
ORLANDO, VILJANDI BRONZE
ROOF OVERHANG FOR COM-FORTABLE OUTDOOR SEATING.



AXEL BRONZE
PLENTY OF LIGHT AND WIDE DOORS FOR A SPACIOUS WORKSHOP.



	ORLANDO 34	VILJANDI 34	AXEL 230
Item number	3420301	3420296	2837250
Base dimensions W x D	380 x 280 cm	300 x 300 cm	380 x 230 cm
Wall thickness	34 mm	34 mm	28 mm
Floor area	10.12 m ²	8.46 m ²	8.40 m ²
Volume	22.20 m ³	18.87 m ³	18.44 m ³
Side wall height	194 cm	194 cm	194 cm
Ridge height	245 cm	245 cm	245 cm
Roof overhang	140 cm	125 cm	10 cm
Roof area	18.92 m ²	16.20 m ²	10.75 m ²
Double door W x H	149 x 185 cm	149 x 185 cm	149 x 185 cm
Window size W x H	88 x 88 cm	-	129 x 88 cm
Floor, optional	Included, 15 mm	3 x 3 m ²	3 x 3 m ²
Roofing felt	Included	Included	Included
Roof shingles, optional (pack)	8	7	5

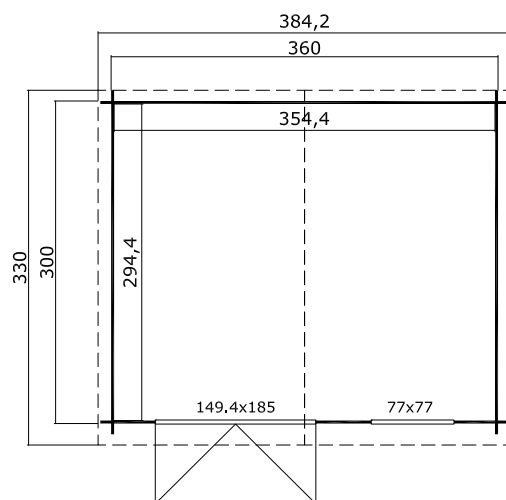




EBRO BRONZE

PLENTY OF NATURAL LIGHT INSIDE.

EBRO B	
Item number	2810250
Base dimensions W x D	360 x 300 cm
Wall thickness	28 mm
Floor area	10.43 m ²
Volume	22.90 m ³
Side wall height	194 cm
Ridge height	245 cm
Roof overhang	20 cm
Roof area	13.20 m ²
Double door W x H	149 x 185 cm
Single window W x H	77 x 77 cm
Floor, optional	3 x 3 / 1 x 1.5 m ²
Roofing felt	Included
Roof shingles, optional (pack)	6

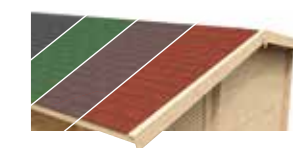


DALLAS BRONZE

LARGE AREAS OF GLASS PROVIDE OPENNESS.

DALLAS	
Item number	2825350
Base dimensions W x D	376 x 292 cm
Wall thickness	28 mm
Floor area	10.61 m ²
Volume	22.63 m ³
Side wall height	194 cm
Ridge height	234 cm
Roof overhang	10 cm
Roof area	13.10 m ²
Double door W x H	149 x 185 cm
2 x fixed window W x H	69 x 88 cm
Floor, optional	4 x 3 m ²
Roofing felt	Included
Roof shingles, optional (pack)	6

APPROPRIATE ACCESSORIES

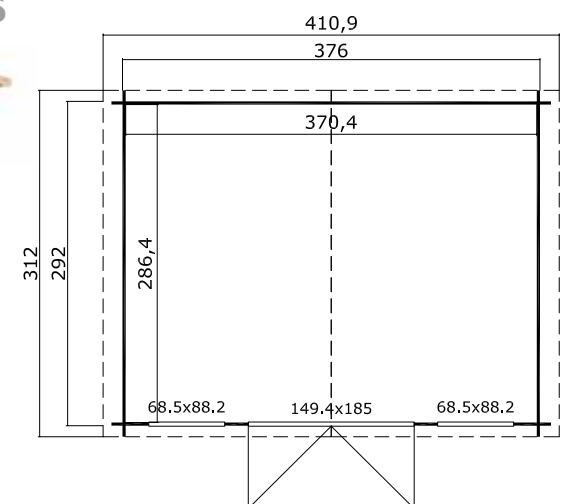


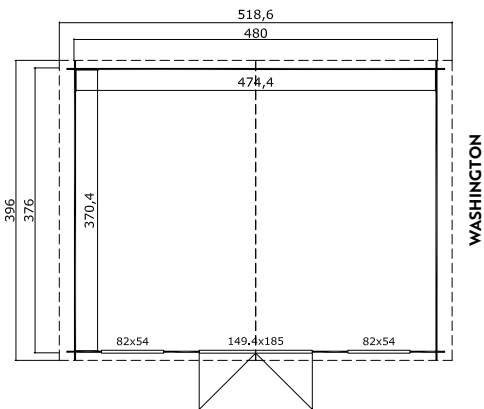
Roof shingles in various colours



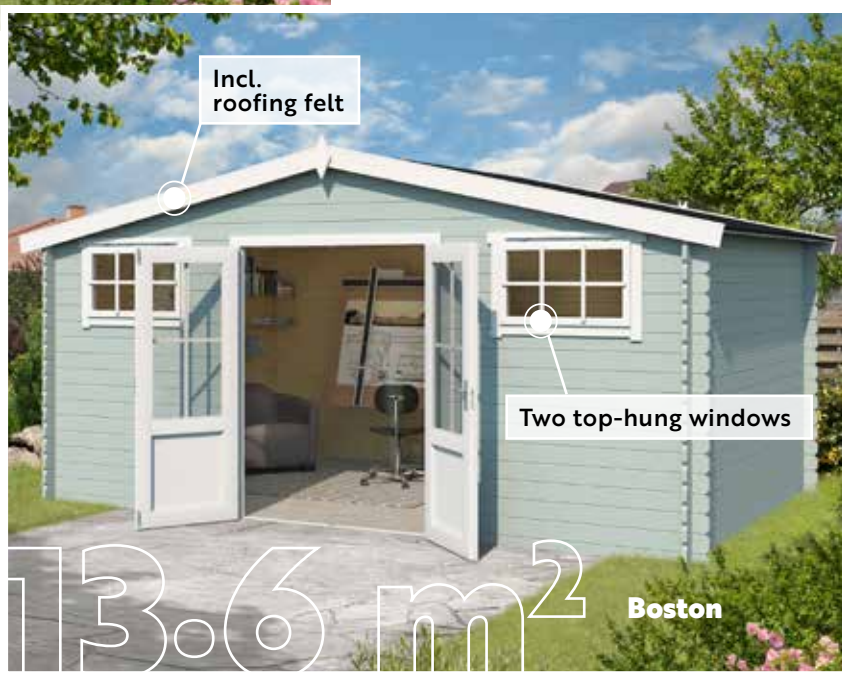
Infrared heater

Other accessories can be found from page 82.





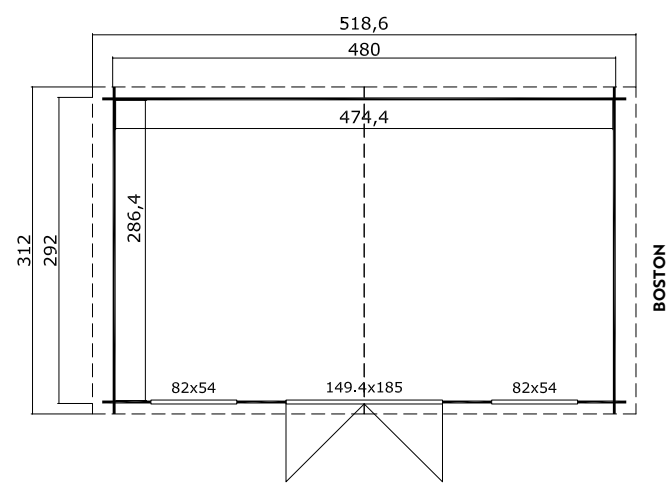
17.6 m² Washington



13.6 m² Boston

WASHINGTON BRONZE
BOSTON BRONZE
PERFECT STUDIO FOR THE GARDEN.

	WASHINGTON	BOSTON
Item number	2825550	2825450
Base dimensions W x D	480 x 376 cm	480 x 292 cm
Wall thickness	28 mm	28 mm
Floor area	17.57 m ²	13.59 m ²
Volume	38.56 m ³	29.82 m ³
Side wall height	194 cm	194 cm
Ridge height	245 cm	245 cm
Roof overhang	10 cm	10 cm
Roof area	20.99 m ²	16.54 m ²
Double door W x H	149 x 185 cm	149 x 185 cm
2 x single window W x H	82 x 54 cm	82 x 54 cm
Floor, optional	6 x 3 m ²	5 x 3 m ²
Roofing felt, optional	2 x 15 m	Included
Roof shingles, optional (pack)	8	7



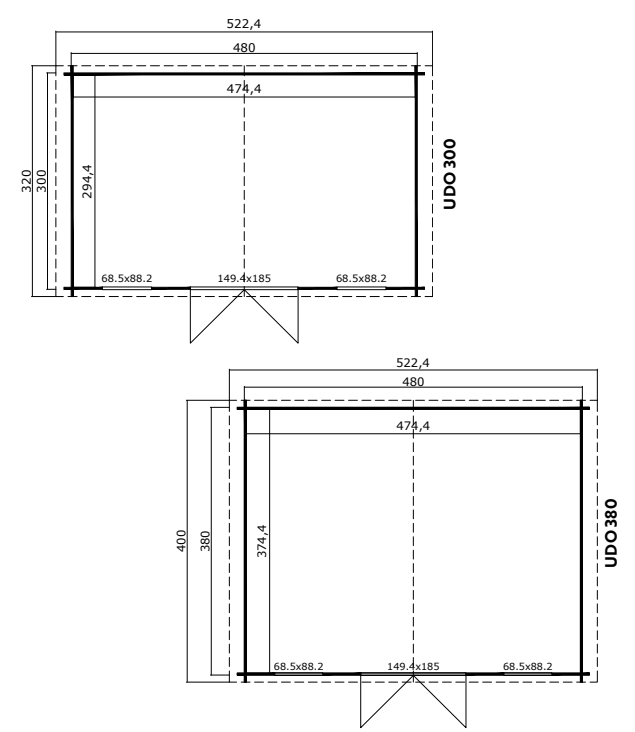
17.8 m² Udo 380



Udo 300

UDO BRONZE
LARGE, COSY GARDEN CABIN.

	UDO 300	UDO 380
Item number	2841150	2841250
Base dimensions W x D	480 x 300 cm	480 x 380 cm
Wall thickness	28 mm	28 mm
Floor area	13.97 m ²	17.76 m ²
Volume	31.45 m ³	39.99 m ³
Side wall height	194 cm	194 cm
Ridge height	257 cm	257 cm
Roof overhang	10 cm	10 cm
Roof area	17.28 m ²	21.60 m ²
Double door W x H	149 x 185 cm	149 x 185 cm
2 x single window W x H	2 x 69 x 88 cm	2 x 69 x 88 cm
Floor, optional	5 x 3 m ²	6 x 3 m ²
Roofing felt	Included	Included
Roof shingles, optional (pack)	7	9

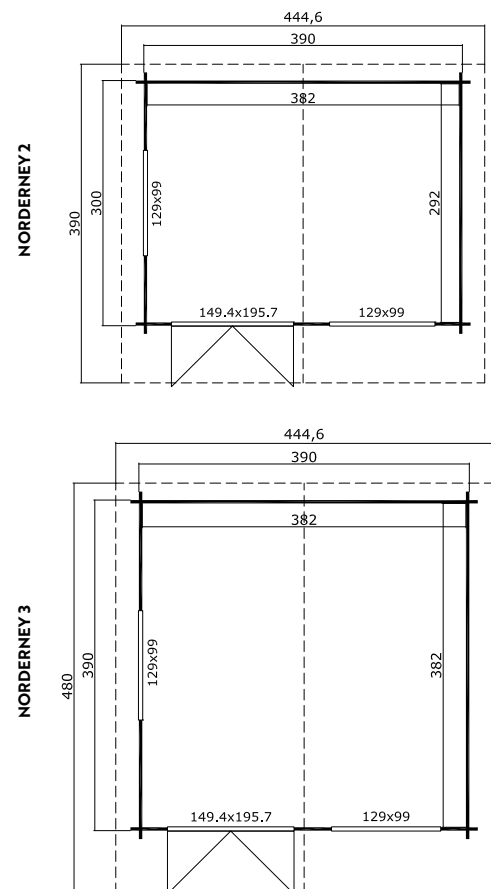




NORDERNEY SILVER

STYLISH CLASSIC WITH PLENTY OF LIVING ROOM.

	NORDERNEY 2	NORDERNEY 3
Item number	401900	402000
Base dimensions W x D	390 x 300 cm	390 x 390 cm
Wall thickness	40 mm	40 mm
Floor area	11.20 m ²	14.60 m ²
Volume	25.70 m ³	33.70 m ³
Side wall height	205 cm	205 cm
Ridge height	256 cm	256 cm
Roof overhang	70 cm	70 cm
Roof area	17.90 m ²	22.10 m ²
Double door W x H	149 x 196 cm	149 x 196 cm
2 x single window W x H	129 x 99 cm	129 x 99 cm
Floor, included	18 mm	18 mm
Roofing felt, optional	2 x 15 m	2 x 15 m
Roof shingles, optional (pack)	7	9



CARROZ BRONZE

MODERN LOOK AND NATURAL LIGHT THANKS TO FLOOR-TO-CEILING WINDOW.

	CARROZ
Item number	2850750
Base dimensions W x D	456 x 360 cm
Wall thickness	28 mm
Floor area	15.96 m ²
Volume	35.94 m ³
Side wall height	200 cm
Ridge height	251 cm
Roof overhang	20 cm
Roof area	20.83 m ²
Double door W x H	149 x 185 cm
Single door W x H	78 x 185 cm
Single window W x H	46 x 178 cm
Floor, optional	5 x 3 / 1 x 1.5 m ²
Roofing felt	Included
Roof shingles, optional (pack)	8

APPROPRIATE ACCESSORIES



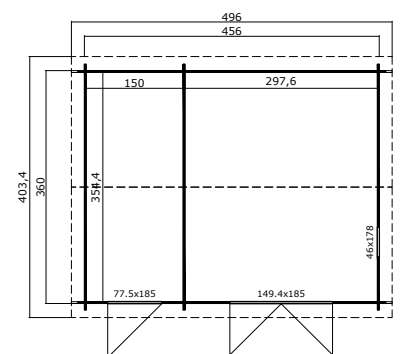
Standard roofing felt



Bar unit



Roof extension



Other accessories can be found from page 82.

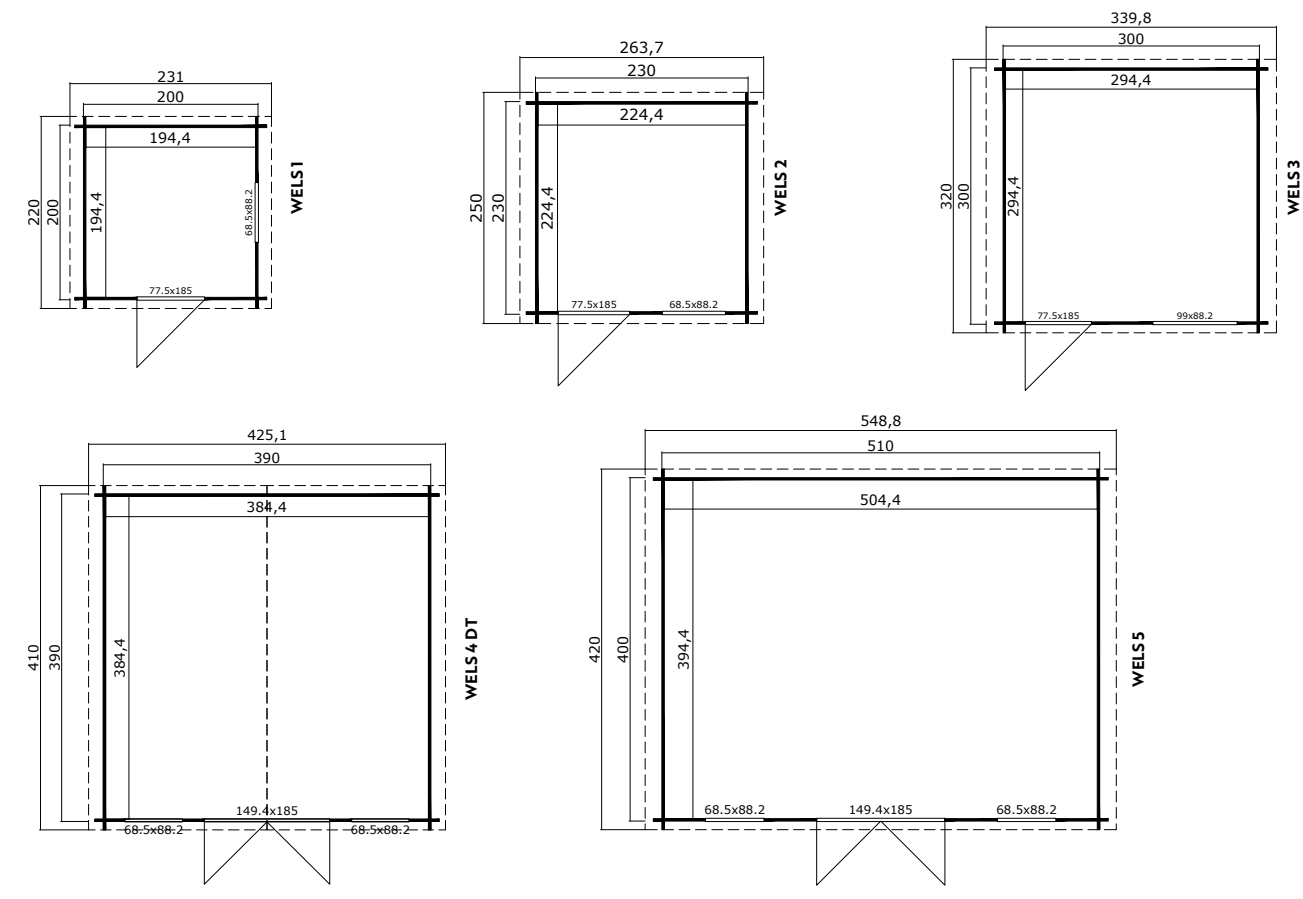


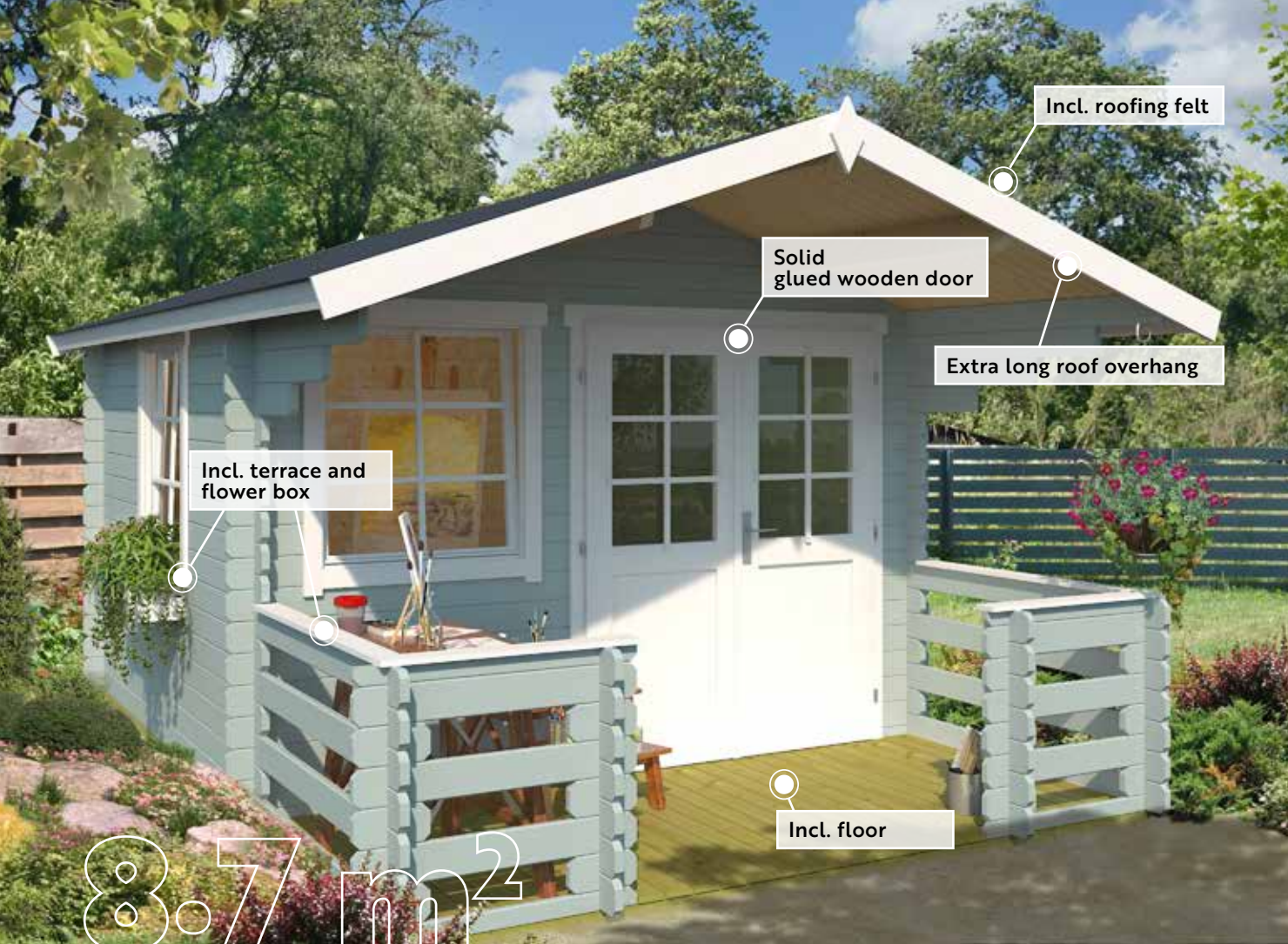
19.9 m²

Wels 5

WELS BRONZE CLASSIC GARDEN CABIN FOR ANY SPACE REQUIREMENT.

	WELS 1	WELS 2	WELS 3	WELS 4 DT	WELS 5
Item number	2837400	2837500	2837600	2830400	2837700
Base dimensions W x D	200 x 200 cm	230 x 230 cm	300 x 300 cm	390 x 390 cm	510 x 400 cm
Wall thickness	28 mm	28 mm	28 mm	28 mm	28 mm
Floor area	3.78 m ²	5.04 m ²	8.67 m ²	14.78 m ²	19.89 m ²
Volume	8.29 m ³	11.05 m ³	19.02 m ³	32.43 m ³	43.66 m ³
Side wall height	194 cm	194 cm	194 cm	194 cm	194 cm
Ridge height	234 cm	234 cm	245 cm	245 cm	245 cm
Roof overhang	10 cm	10 cm	10 cm	10 cm	10 cm
Roof area	5.50 m ²	7 m ²	11.81 m ²	18.04 m ²	23.52 m ²
Double door W x H	77 x 185 cm	77 x 185 cm	77 x 185 cm	149 x 185 cm	149 x 185 cm
Single window W x H	69 x 88 cm	69 x 88 cm	69 x 88 cm	2 x 69 x 88 cm	2 x 69 x 88 cm
Floor, included	15 mm	15 mm	15 mm	15 mm	15 mm
Roofing felt, optional	1 x 10 m	1 x 15 m	2 x 10 m	2 x 15 m	4 x 10 m
Roof shingles, optional (pack)	3	3	5	7	9

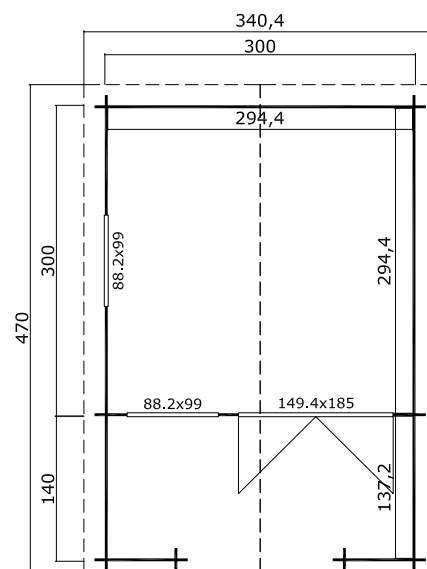




8.7 m²

LOLA SILVER
**COSY CABIN
 WITH COVERED SEATING AREA.**

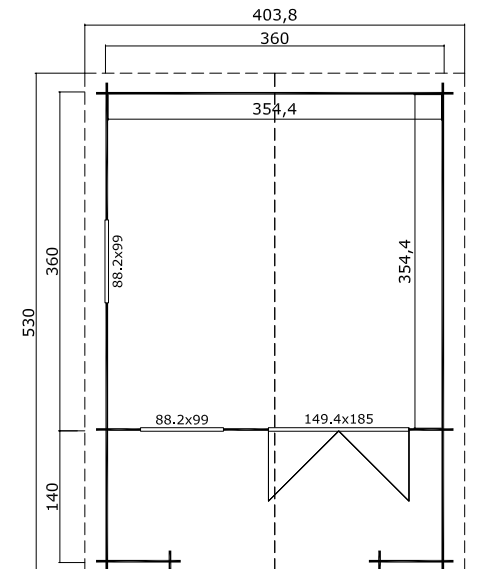
LOLA 2	
Item number	2816001
Base dimensions W x D	300 x 300 cm
Wall thickness	28 mm
Floor area	8.67 m ²
Volume	19.02 m ³
Side wall height	194 cm
Ridge height	245 cm
Roof overhang	150 cm
Roof area	16.92 m ²
Double door W x H	149 x 185 cm
2 x single window W x H	88 x 99 cm
Floor, included	18 mm
Roofing felt	Included
Roof shingles, optional (pack)	7



12.6 m²

LUNA SILVER
**ROMANTIC CABIN
 WITH LONG ROOF OVERHANG.**

LUNA 2	
Item number	2816201
Base dimensions W x D	360 x 360 cm
Wall thickness	28 mm
Floor area	12.56 m ²
Volume	27.56 m ³
Side wall height	194 cm
Ridge height	245 cm
Roof overhang	150 cm
Roof area	22.26 m ²
Double door W x H	149 x 185 cm
2 x single window W x H	88 x 99 cm
Floor, included	18 mm
Roofing felt	Included
Roof shingles, optional (pack)	9





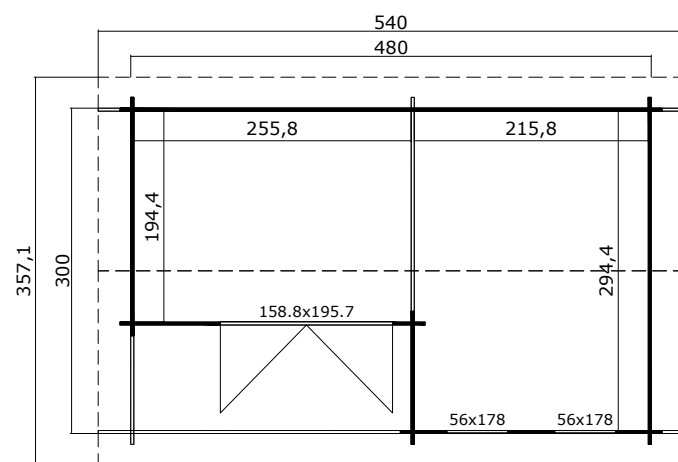
14 m²

Incl. impregnated terrace

Fixed floor-to-ceiling window

RIVERSIDE SILVER BRIGHT, COSY CABIN WITH SMALL, COVERED TERRACE.

RIVERSIDE	
Item number	2851500
Base dimensions W x D	480 x 300 mm
Wall thickness	28 mm
Floor area	13.97 m ²
Volume	32.24 m ³
Side wall height	211 cm
Ridge height	251 cm
Roof overhang	28.60 cm
Roof area	19.98 m ²
Glazed double door W x H	159 x 196 cm
2 x single window W x H	56 x 178 cm
Floor, included	18 mm
Roofing felt, optional	3 x 15 m
Roof shingles, optional (pack)	7



11.4 m²

Two separate rooms

Incl. roofing felt

Incl. floor

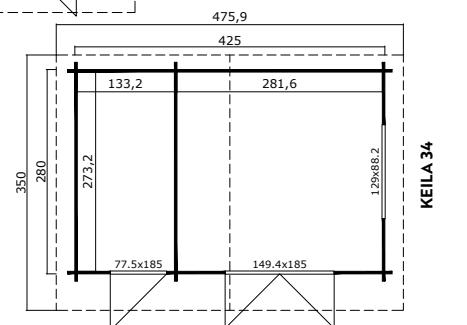
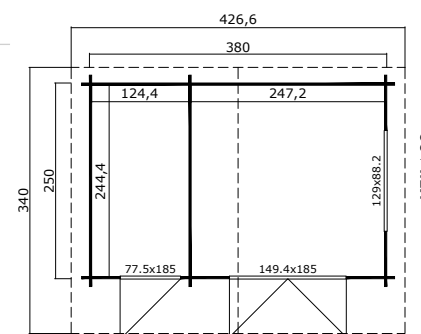
Keila 34



Keila 28

KEILA BRONZE GARDEN CABIN WITH PRACTICAL STOREROOM.

	KEILA 28	KEILA 34
Item number	2841501	3415601
Base dimensions W x D	380 x 250 cm	425 x 280 cm
Wall thickness	28 mm	34 mm
Floor area	9.15 m ²	11.43 m ²
Volume	20.60 m ³	26.38 m ³
Side wall height	194 cm	205.20 cm
Ridge height	257 cm	257 cm
Roof overhang	70 cm	50 cm
Roof area	15.30 m ²	17.15 m ²
Double door W x H	149 x 185 cm	149 x 185 cm
Single door W x H	78 x 185 cm	78 x 185 cm
Double window W x H	129 x 88 cm	129 x 88 cm
Floor, included	15 mm	15 mm
Roofing felt	Included	Included
Roof shingles, optional (pack)	6	7





ROBIN BRONZE

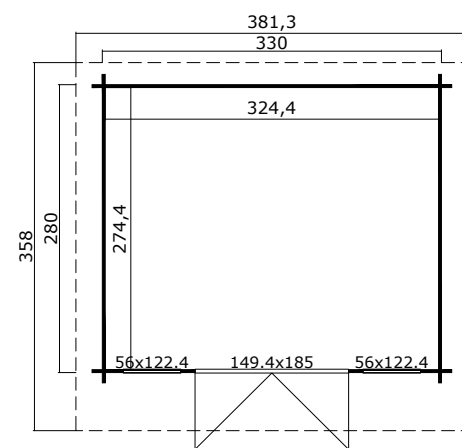
LARGE WINDOW FRONT FOR A LIGHT-FLOODED INTERIOR.

	ROBIN 280
Item number	2840901
Base dimensions W x D	330 x 280 cm
Wall thickness	28 mm
Floor area	8.90 m ²
Volume	19.53 m ³
Side wall height	194 cm
Ridge height	245 cm
Roof overhang	55 cm
Roof area	14.20 m ²
Double door W x H	149 x 185 cm
2 x fixed window W x H	56 x 122 cm
Floor, included	15 mm
Roofing felt	Included
Roof shingles, optional (pack)	6

APPROPRIATE ACCESSORIES



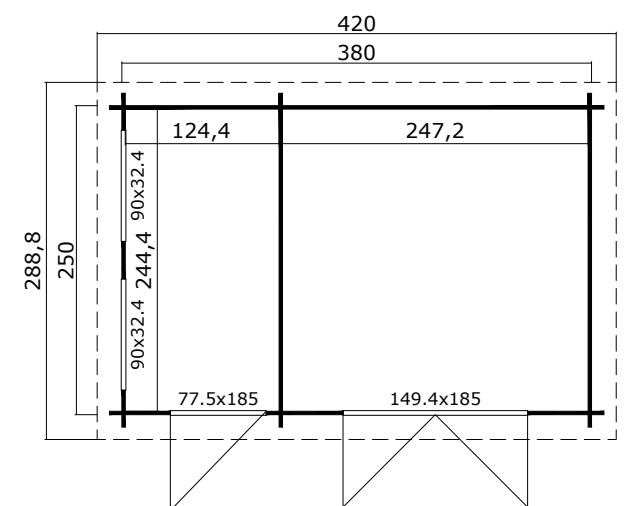
Other accessories can be found from page 82.



WILLIAM BRONZE

BEST OF BOTH WORLDS: STOREROOM MEETS LIVING ROOM

	WILLIAM
Item number	2841701
Base dimensions W x D	380 x 250 cm
Wall thickness	28 mm
Floor area	9.15 m ²
Volume	20.08 m ³
Side wall height	200 cm
Ridge height	239 cm
Roof overhang	22 cm
Roof area	13.02 m ²
Double door W x H	149 x 185 cm
Single door W x H	78 x 185 cm
2 x fixed window W x H	90 x 32 cm
Floor, included	15 mm
Roofing felt	Included
Roof shingles, optional (pack)	6





BLOCK CABINS WITH GABLE ROOF AND COVERED AREA.

**THE COSY AND STABLE OUTDOOR SEATING
AREA IN THE GARDEN – WITH PRACTICAL
STORAGE SPACE.**

09
MODELS

Great as a covered BBQ area



11 m² Kirian 300

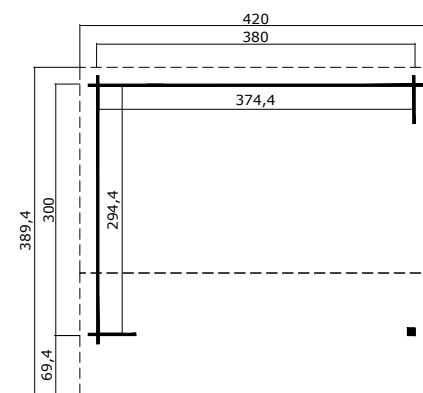


12.3 m² San Diego

SAN DIEGO KIRIAN, WIBO BRONZE COSY, COVERED SEATING AREA, WITH OR WITHOUT STOREROOM.



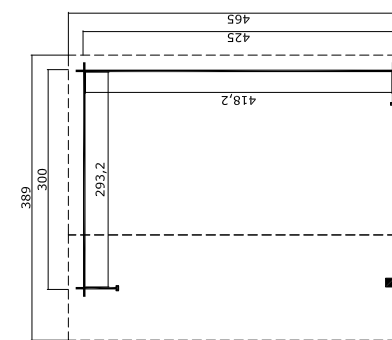
	KIRIAN 300	SAN DIEGO	WIBO
Item number	2839296	3418750	2833400
Base dimensions W x D	380 x 300 cm	425 x 300 cm	425/144 x 300 cm
Wall thickness	28 mm	34 mm	28 mm
Floor area	11 m ²	12.26 m ²	12.35 m ²
Volume	28.60 m ³	29.70 m ³	27.80 m ³
Side wall height	211 cm	211 cm	205 cm
Ridge height	274 cm	274 cm	245 cm
Roof overhang	20 cm	69.20 cm	19 cm
Roof area	17.22 m ²	19.10 m ²	16.28 m ²
Double door W x H	-	-	-
Single door W x H	-	-	78 x 185 cm
Floor	-	-	Included, 15 mm
roofing felt	Included	Included	Included
Roof shingles, optional (pack)	7	7	7



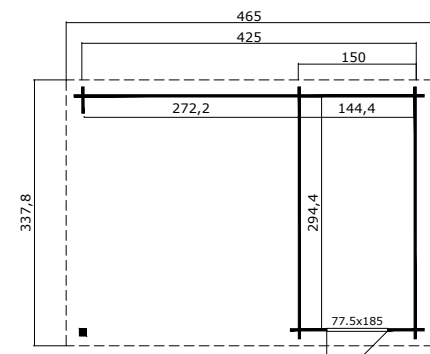
KIRIAN 300



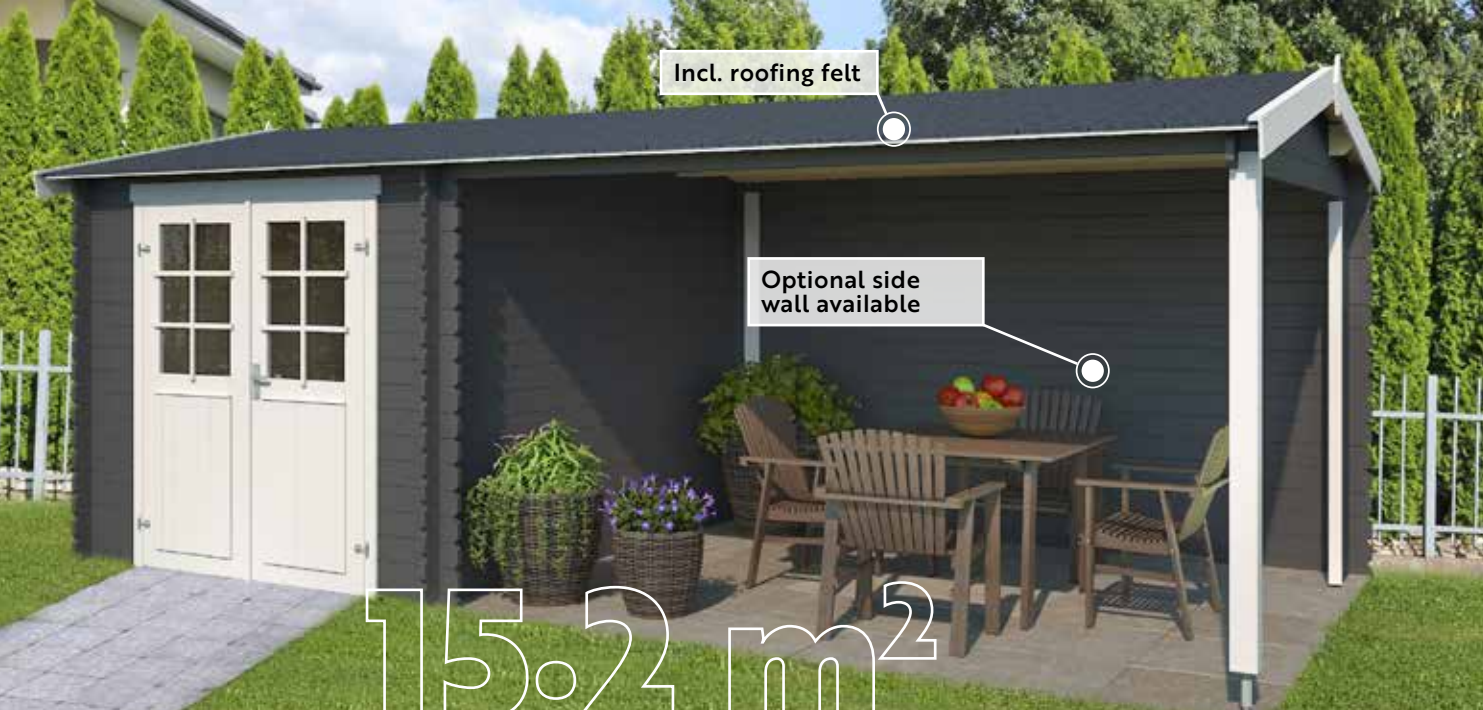
12.4 m² Wibo Incl. floor



SAN DIEGO



WIBO



Ivana

15.2 m²



Kenzo

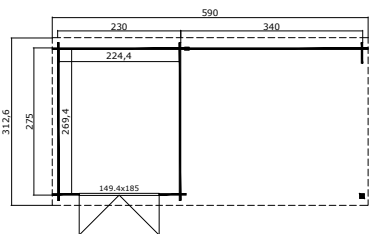
15.6 m²

IVANA, KENZO BRONZE GARDEN CABINS WITH OUTDOOR AREA.

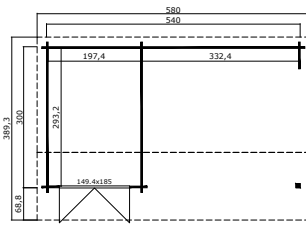


Item number
Base dimensions W x D
Wall thickness
Floor area
Volume
Side wall height
Ridge height
Roof overhang
Roof area
Double door W x H
Floor, optional
Roofing felt, optional
Roof shingles, optional (pack)

	IVANA	KENZO
Item number	2838550	3415500
Base dimensions W x D	570/230 x 275 cm	540/197 x 300 cm
Wall thickness	28 mm	34 mm
Floor area	15.20 m ²	15.63 m ²
Volume	32.50 m ³	40.55 m ³
Side wall height	200 cm	245 cm
Ridge height	228 cm	274 cm
Roof overhang	20 cm	70 cm
Roof area	18.88 m ²	23.78 m ²
Double door W x H	149 x 185 cm	149 x 185 cm
Floor, optional	3 x 3 / 1 x 1.5 m ²	Included, 18 mm
Roofing felt, optional	Included	3 x 15 m
Roof shingles, optional (pack)	8	10



IVANA



KENZO



New York

19.8 m²



El Paso

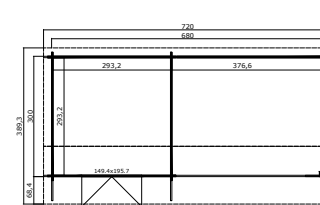
25.3 m²

NEW YORK, EL PASO SILVER PLENTY OF SPACE FOR LIVING AND LEISURE.

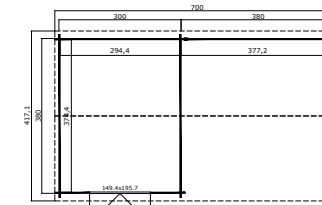


Item number
Base dimensions W x D
Wall thickness
Floor area
Volume
Side wall height
Ridge height
Roof overhang
Roof area
Double door W x H
Floor, optional
Roofing felt
Roof shingles, optional (pack)

	NEW YORK	EL PASO
Item number	3418950	2840050
Base dimensions W x D	680/300 x 380 cm	680/294 x 380 cm
Wall thickness	34 mm	28 mm
Floor area	19.74 m ²	25.25 m ²
Volume	51.19 m ³	26.70 m ³
Side wall height	245 cm	211 cm
Ridge height	274 cm	274 cm
Roof overhang	68 cm	19 cm
Roof area	29.52 m ²	30.84 m ²
Double door W x H	149 x 196 cm	149 x 196 cm
Floor, optional	3 x 3 m ²	4 x 3 m ²
Roofing felt	Included	Included
Roof shingles, optional (pack)	7	12



NEW YORK



EL PASO



22.9 m²

AMARILLO SILVER

**PERFECT FOR LARGE FAMILIES
OR GOOD FRIENDS.**

AMARILLO	
Item number	2848150
Base dimensions W x D	710/324 x 330 cm
Wall thickness	28 mm
Floor area	22.85 m ²
Volume	52.75 m ³
Side wall height	211 cm
Ridge height	251 cm
Roof overhang	29 cm
Roof area	29.50 m ²
Double door W x H	149 x 196 cm
Floor, optional	4 x 3 m ²
Roofing felt	Included
Roof shingles, optional (pack)	12

APPROPRIATE ACCESSORIES



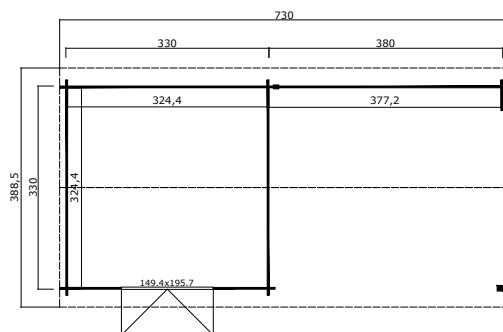
Standard roofing felt



Roof shingles
in various colours



Gutter



Other accessories
can be found from page 82.



17.5 m²

TULSA SILVER

**SPACIOUS CABIN WITH
PRACTICAL SIDE ROOF.**

TULSA	
Item number	3418050
Base dimensions W x D	428/292 x 292 cm
Wall thickness	28 mm
Floor area	12.50 m ²
Volume	17.85 m ³
Side wall height	194 cm
Ridge height	245 cm
Roof overhang	40 cm
Roof area	15.84 m ²
Double door W x H	149 x 185 cm
Floor, optional	3 x 3 m ²
Roofing felt	Included
Roof shingles, optional (pack)	7

APPROPRIATE ACCESSORIES

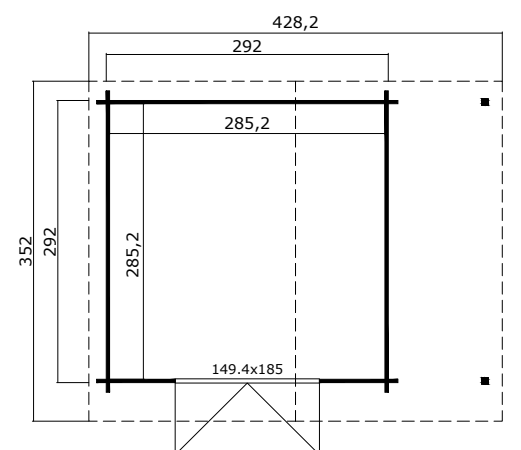


Premium roofing felt



Infrared heater

Other accessories
can be found from page 82.



BLOCK CABINS WITH FLAT ROOF.

MODERN GARDEN CABINS
FOR MODERN GARDENS

09

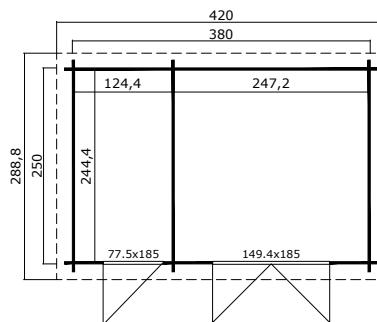
MODELS



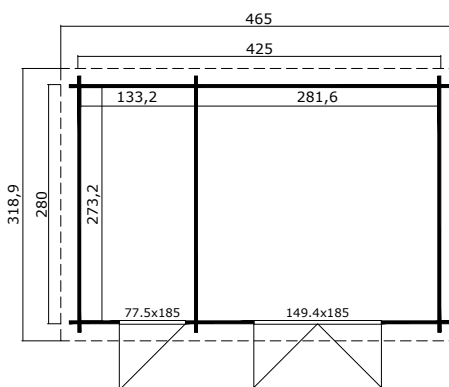


BELMONT BRONZE

MODERN, BRIGHT CABIN WITH PRACTICAL STOREROOM.



BELMONT 1



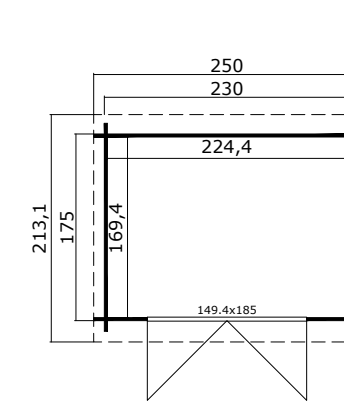
BELMONT 2

	BELMONT 1	BELMONT 2
Item number	2837801	3414201
Base dimensions W x D	380 x 250 cm	425 x 280 cm
Wall thickness	28 mm	34 mm
Floor area	9.15 m ²	11.43 m ²
Volume	19.30 m ³	24.10 m ³
Side wall height	200 cm	200 cm
Ridge height	222 cm	222 cm
Roof overhang	20 cm	20 cm
Roof area	12.18 m ²	14.88 m ²
Double door W x H	149 x 185 cm	149 x 185 cm
Single door W x H	77 x 185 cm	78 x 185 cm
Floor, included	15 mm	15 mm
Roofing felt	Included	Included

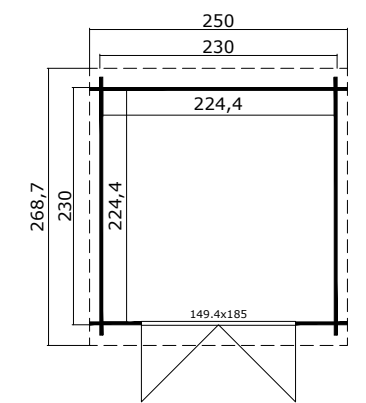
INDI BRONZE

COSY BRIGHT EQUIPMENT STORE.

	INDI 175	INDI 230
Item number	2834050	2834150
Base dimensions W x D	230 x 175 cm	230 x 230 cm
Wall thickness	28 mm	28 mm
Floor area	3.80 m ²	5.04 m ²
Volume	7.58 m ³	10.05 m ³
Side wall height	188 cm	188 cm
Ridge height	211 cm	211 cm
Roof overhang	20 cm	20 cm
Roof area	4.19 m ²	6.75 m ²
Double door W x H	149 x 185 cm	149 x 185 cm
Floor, optional	1 x 3 / 1 x 1.5 m ²	2 x 3 m ²
Roofing felt	Included	Included



INDI 175



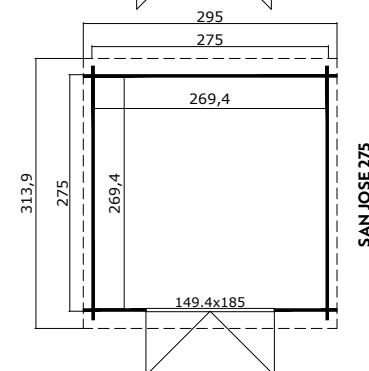
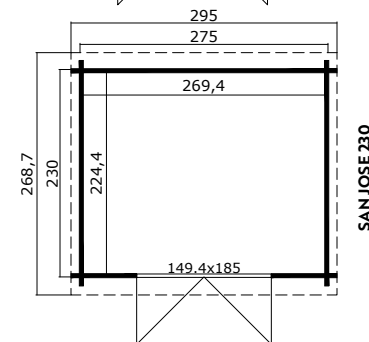
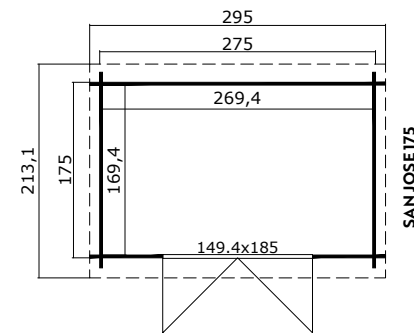
INDI 230



SAN JOSE BRONZE

SMALL AND PRACTICAL.

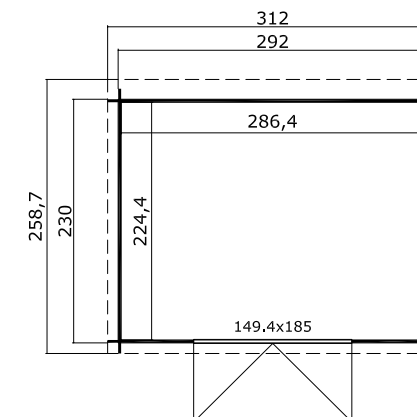
	SAN JOSE 175	SAN JOSE 230	SAN JOSE 275
Item number	2835550	2835650	2835750
Base dimensions W x D	275 x 175 cm	275 x 230 cm	275 x 275 cm
Wall thickness	28 mm	28 mm	28 mm
Floor area	4.56 m ²	6.05 m ²	7.26 m ²
Volume	9.10 m ³	14.48 m ³	12.06 m ³
Side wall height	188 cm	188 cm	188 cm
Ridge height	211 cm	211 cm	211 cm
Roof overhang	20 cm	20 cm	20 cm
Roof area	4.58 m ²	7.25 m ²	9.89 m ²
Double door W x H	149 x 185 cm	149 x 185 cm	149 x 185 cm
Floor, optional	3 x 3 / 1 x 1.5 m ²	2 x 3 / 1 x 1.5 m ²	2 x 3 / 1 x 1.5 m ²
Roofing felt	Included	Included	Included



ATLANTA BRONZE

PRACTICAL BRIGHT CABINS FOR SMALL GARDENS.

	ATLANTA
Item number	2824750
Base dimensions W x D	292 x 230 cm
Wall thickness	28 mm
Floor area	6.43 m ²
Volume	12.82 m ³
Side wall height	188 cm
Ridge height	211 cm
Roof overhang	10 cm
Roof area	8.11 m ²
Double door W x H	149 x 185 cm
Floor, optional	2 x 3 / 1 x 1.5 m ²
Roofing felt	Included



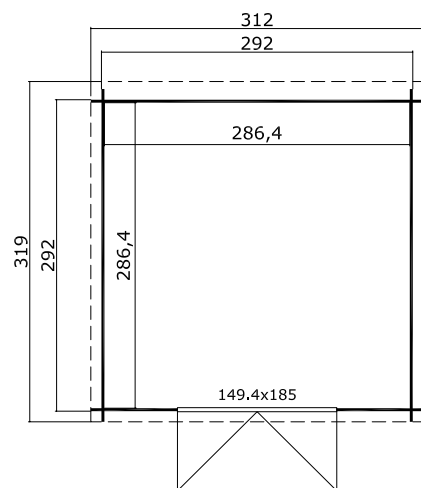


MIAMI BRONZE

MODERN, BRIGHT CABIN FOR HOBBIES, LEISURE OR EQUIPMENT STORAGE.



MIAMI	
Item number	2822850
Base dimensions W x D	292 x 292 cm
Wall thickness	28 mm
Floor area	8.20 m ²
Volume	16.36 m ³
Side wall height	188 cm
Ridge height	211 cm
Roof overhang	10 cm
Roof area	9.98 m ²
Double door W x H	149 x 185 cm
Floor, optional	3 x 3 m ²
Roofing felt	Included



SACRAMENTO BRONZE

SMALL PENT ROOF CABIN WITH MODERN DOOR DESIGN.



SACRAMENTO	
Item number	2822899
Base dimensions W x D	292 x 292 cm
Wall thickness	28 mm
Floor area	8.20 m ²
Volume	16.36 m ³
Side wall height	188 cm
Ridge height	211 cm
Roof overhang	10 cm
Roof area	9.98 m ²
Double door W x H	149 x 185 cm
Floor, optional	3 x 3 m ²
Roofing felt	Included

APPROPRIATE ACCESSORIES

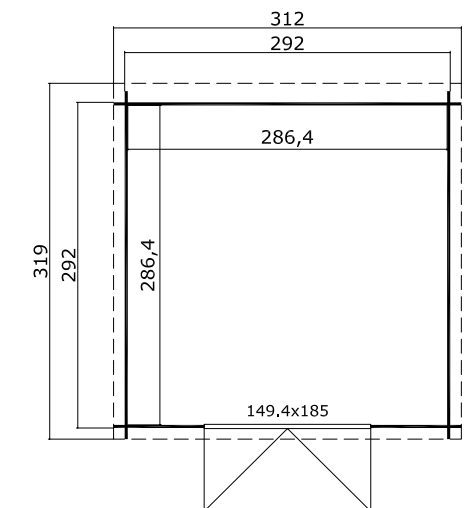


Onduline



Gutter

Other accessories can be found from page 82.

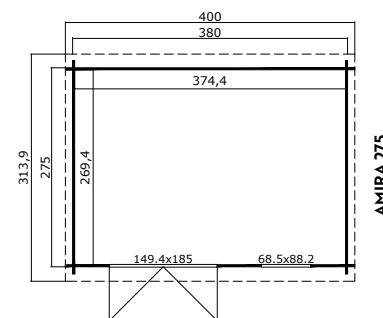
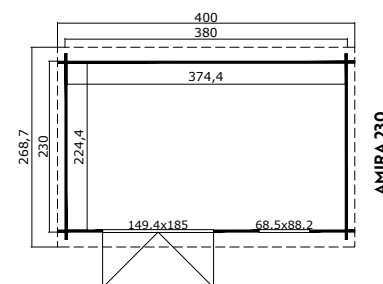
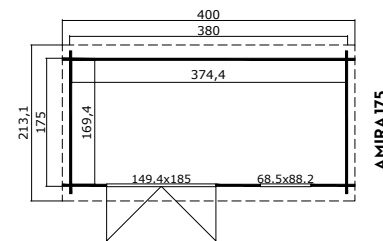




AMIRA BRONZE

SPACIOUS, COMPACT AND COSY.

	AMIRA 175	AMIRA 230	AMIRA 275
Item number	2850050	2836850	2836950
Base dimensions W x D	380 x 175 cm	380 x 230 cm	380 x 275 cm
Wall thickness	28 mm	28 mm	28 mm
Floor area	6.34 m ²	8.40 m ²	10.09 m ²
Volume	12.65 m ³	16.76 m ³	20.12 m ³
Side wall height	188 cm	188 cm	188 cm
Ridge height	211 cm	211 cm	211 cm
Roof overhang	20 cm	20 cm	20 cm
Roof area	8.70 m ²	10.80 m ²	12.60 m ²
Double door W x H	149 x 185 cm	149 x 185 cm	149 x 185 cm
Single window W x H	69 x 88 cm	69 x 88 cm	69 x 88 cm
Floor, optional	2 x 3 / 1 x 1.5 m ²	3 x 3 m ²	3 x 3 / 1 x 1.5 m ²
Roofing felt	Included	Included	Included



AUGUSTA SILVER

THE SMALL, BRIGHT LIVING ROOM IN THE GARDEN.

	AUGUSTA
Item number	2847850
Base dimensions W x D	380 x 230 cm
Wall thickness	28 mm
Floor area	8.40 m ²
Volume	17.96 m ³
Side wall height	211 cm
Ridge height	217 cm
Roof overhang	10 cm
Roof area	10.30 m ²
Double door W x H	159 x 196 cm
Single window W x H	90 x 32 cm
Floor, optional	3 x 3 m ²
Roofing felt	Included

APPROPRIATE ACCESSORIES

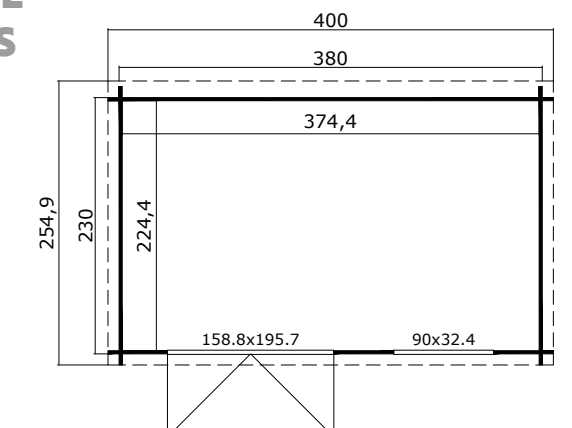


Skylight



Onduline

Other accessories can be found from page 82.



BLOCK CABINS WITH FLAT ROOF AND COVERED AREA.

A MODERN SEATING AREA IN THE GARDEN WITH PRACTICAL STOREROOM NEXT TO IT.

10

MODELS





JELLE PLUS BRONZE
PENT ROOF CABIN WITH MODERN ALL-GLASS DOOR AND OUTDOOR AREA.

JELLE PLUS	
Item number	2839150
Base dimensions W x D	370/175 x 175 cm
Wall thickness	28 mm
Floor area	6.48 m ²
Volume	5.72 m ³
Side wall height	188 cm
Ridge height	211 cm
Roof overhang	20 cm
Roof area	8.38 m ²
Single door W x H	77 x 185 cm
Floor, optional	1 x 3 m ²
Roofing felt	Included

APPROPRIATE ACCESSORIES

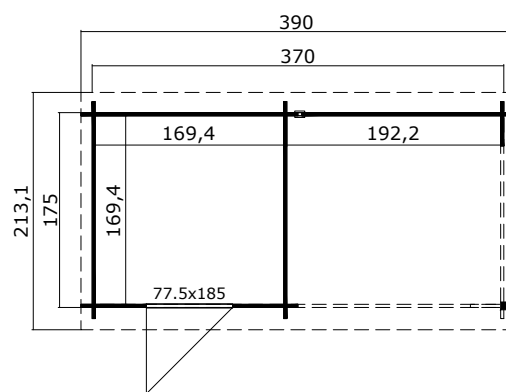


Onduline



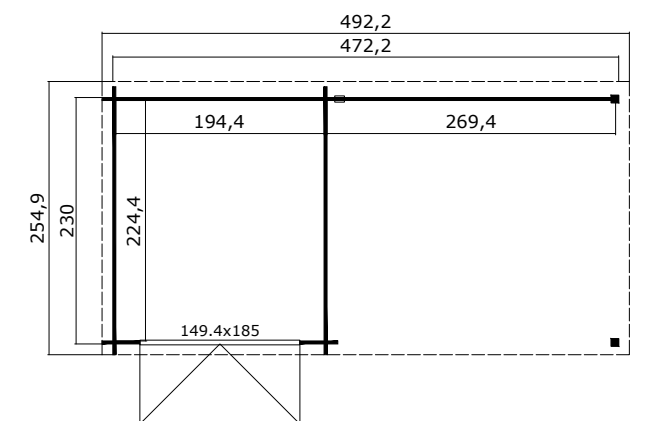
Gutter

Other accessories can be found from page 82.



LONG BEACH BRONZE
SMALL, BRIGHT ROOM WITH PLENTY OF SPACE FOR FUN.

LONG BEACH	
Item number	2845150
Base dimensions W x D	472/194 x 230 cm
Wall thickness	28 mm
Floor area	10.47 m ²
Volume	22.38 m ³
Side wall height	211 cm
Ridge height	217 cm
Roof overhang	10 cm
Roof area	12.60 m ²
Double door W x H	149 x 185 cm
Floor, optional	2 x 3 / 1 x 1.5 m ²
Roofing felt	Included





22.3 m²

New Orleans



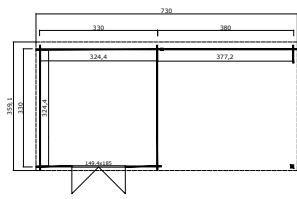
Novia Plus

Incl. roofing felt

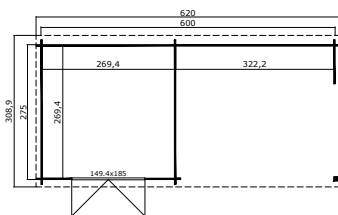
16 m²

NEW ORLEANS SILVER
NOVIA PLUS BRONZE

MODERN ALL-GLASS DOOR AND PLENTY OF SPACE FOR RELAXATION.



NEW ORLEANS



NOVIA PLUS

	NEW ORLEANS	NOVIA PLUS
Item number	2848250	2839950
Base dimensions W x D	710/330 x 330 cm	600/275 x 275 cm
Wall thickness	28 mm	28 mm
Floor area	22.85 m ²	16.01 m ²
Volume	48.84 m ³	31.95 m ³
Side wall height	199 cm	188 cm
Ridge height	222 cm	211 cm
Roof overhang	10 cm	15 cm
Roof area	26.50 m ²	19.22 m ²
Double door W x H	159 x 196 cm	149 x 185 cm
Floor, optional	4 x 3 m ²	3 x 3 m ²
Roofing felt	Included	Included



Incl. roofing felt

14 m²

Tampa

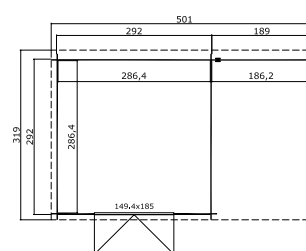


Saint Paul

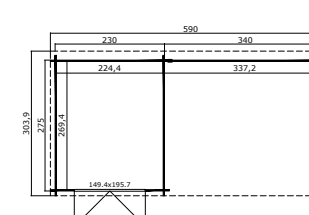
15.8 m²

TAMPA BRONZE
SAINT PAUL SILVER

EQUIPMENT STORE WITH LARGE COVERED AREA.



TAMPA



SAINT PAUL

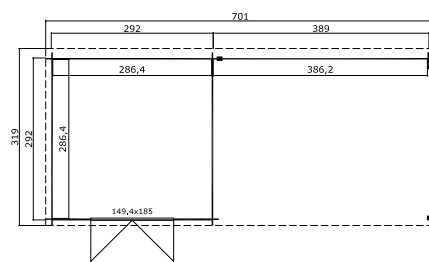
	TAMPA	SAINT PAUL
Item number	2825050	2847650
Base dimensions W x D	481/292 x 292 cm	570/230 x 275 cm
Wall thickness	28 mm	28 mm
Floor area	14.04 m ²	15.74 m ²
Volume	16.36 m ³	33.20 m ³
Side wall height	188 cm	200 cm
Ridge height	211 cm	222 cm
Roof overhang	10 cm	10 cm
Roof area	16.03 m ²	18.10 m ²
Double door W x H	149 x 185 cm	149 x 196 cm
Floor, optional	3 x 3 m ²	2 x 3 / 1 x 1.5 m ²
Roofing felt	Included	Included



19.9 m² St. Louis

ST. LOUIS BRONZE

SPACIOUS OUTDOOR SEATING AREA PERFECT FOR GROUPS.



ST. LOUIS



ST. LOUIS	
Item number	2824650
Base dimensions W x D	681/292 x 292 cm
Wall thickness	28 mm
Floor area	19.88 m ²
Volume	16.36 m ³
Side wall height	188 cm
Ridge height	211 cm
Roof overhang	10 cm
Roof area	22.43 m ²
Double door W x H	149 x 185 cm
Floor, optional	3 x 3 m ²
Roofing felt	Included

APPROPRIATE ACCESSORIES



Premium roofing felt



Gutter

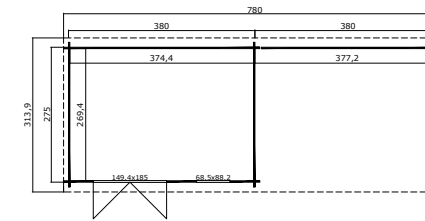
Other accessories can be found from page 82.



20.3 m² Reno

RENO BRONZE

LARGE, BRIGHT ROOM WITH LOTS OF EXTRA SPACE.



RENO

APPROPRIATE ACCESSORIES



Onduline



Infrared heater

Other accessories can be found from page 82.



RENO	
Item number	2831750
Base dimensions W x D	760/380 x 275 cm
Wall thickness	28 mm
Floor area	20.32 m ²
Volume	40.55 m ³
Ridge height	211 cm
Side roof	380 cm
Roof overhang	20 cm
Roof area	24.60 m ²
Double door W x H	149 x 185 cm
Single window W x H	69 x 88 cm
Floor, optional	4 x 3 / 1 x 1.5 m ²
Roofing felt	Included

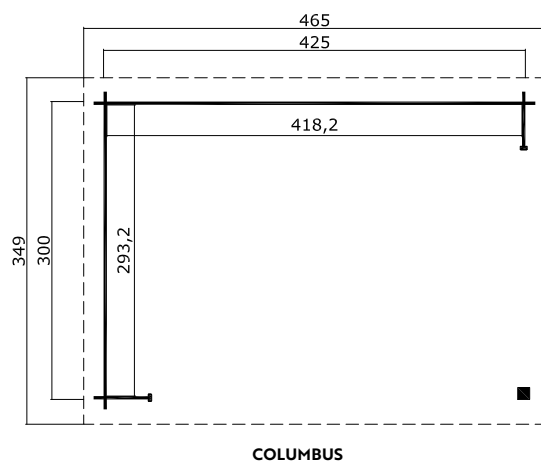


12.2 m²

COLUMBUS

BEAUTIFUL COVERED SEATING AREA FOR RELAXATION.

COLUMBUS	
Item number	3418850
Base dimensions W x D	425 x 300 cm
Wall thickness	34 mm
Floor area	12.22 m ²
Volume	29 m ³
Side wall height	222 cm
Ridge height	245 cm
Roof overhang	25 cm
Roof area	16.28 m ²
Floor, optional	-
Roofing felt	Included



APPROPRIATE ACCESSORIES



Onduline



Gutter

Other accessories can be found from page 82.



10.1 m² Buffalo 380

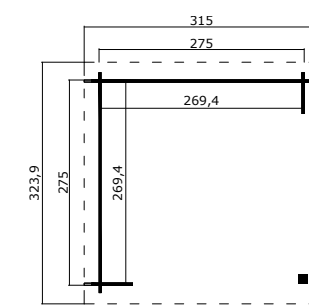


Buffalo 275

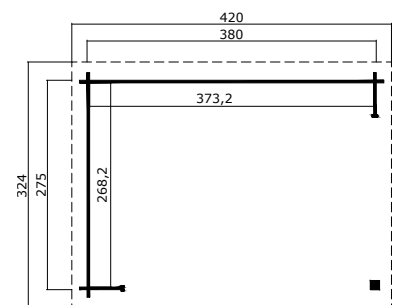
BUFFALO

MODERN OUTDOOR SEATING FOR BALMY SUMMER NIGHTS.

	BUFFALO 275	BUFFALO 380
Item number	2850450	2847250
Base dimensions W x D	275 x 275 cm	380 x 275 cm
Wall thickness	28 mm	28 mm
Floor area	7.45 m ²	10.09 m ²
Volume	16.96 m ³	23.86 m ³
Side wall height	222 cm	222 cm
Ridge height	245 cm	251 cm
Roof overhang	24 cm	25 cm
Roof area	10.20 m ²	13.65 m ²
Floor, optional	-	-
Roofing felt	Included	Included



BUFFALO 275



BUFFALO 380

A garden cabin with a stone wall and a white door. The cabin has a rustic, stone-clad upper section and a dark grey lower section. The white door is double-paned with vertical lines. The cabin is situated on a stone-paved patio with a stack of firewood and a wooden bench nearby. The background shows a lush green landscape under a blue sky.

SPECIAL GARDEN CABINS.

FOR SPECIAL REQUIREMENTS OR TASTES. OUR SPECIALISTS.

06

MODELS



JURA BRONZE

IDEAL AS LEAN-TO OR FREESTANDING.

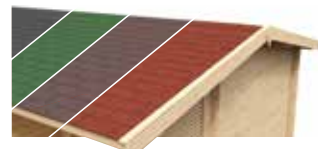


JURA 2	
Item number	2827596
Base dimensions W x D	180 x 275 cm
Wall thickness	28 mm
Floor area	4.70 m ²
Volume	10.85 m ³
Side wall height	194 cm
Ridge height	268 cm
Roof overhang	10 cm
Roof area	6.78 m ²
Single door W x H	77 x 185 cm
Single window W x H	82 x 54 cm
Floor, optional	2 x 3 m ²
Roofing felt, optional	1 x 10 m
Roof shingles, optional (pack)	3

APPROPRIATE ACCESSORIES

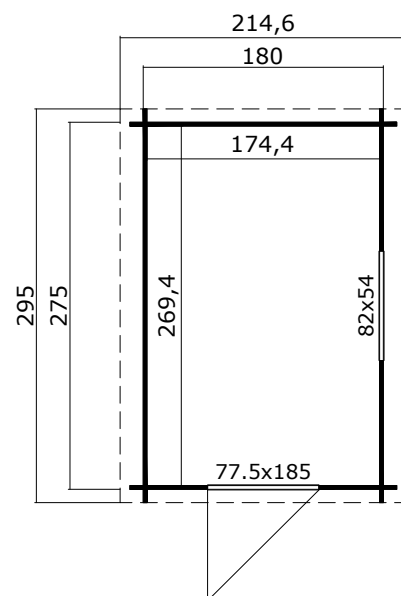


Standard roofing felt



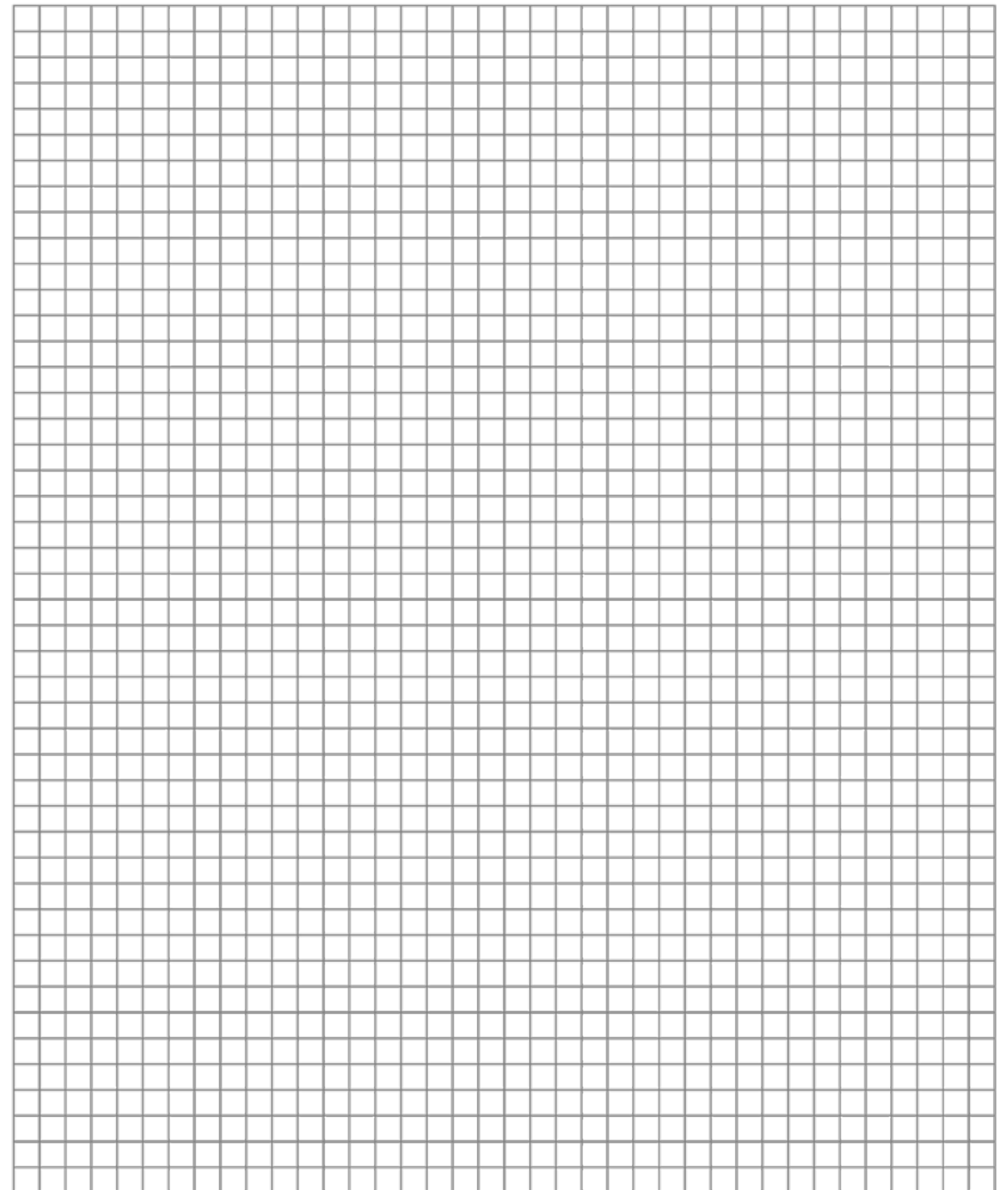
Roof shingles in various colours

Other accessories can be found from page 82.



NOTES

ROOM FOR IDEAS, NOTES AND DREAMS.

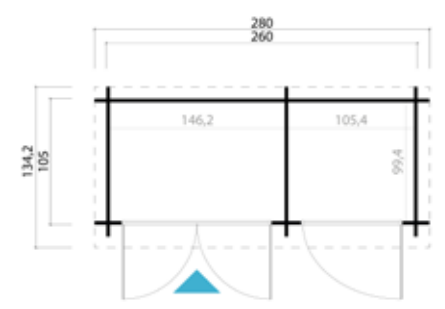




BARI 1 SILVER
**COMPACT AND ELEGANT
 IN COTTAGE STYLE**



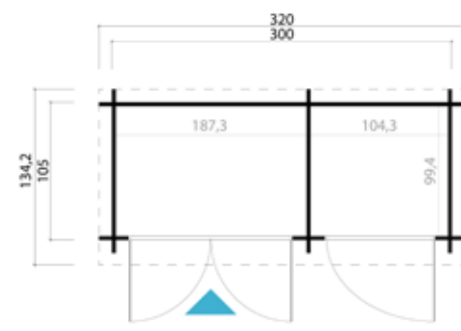
BARI 1	
Item number	2854494
Base dimensions W x D	260 x 105 cm
Wall thickness	28 mm
Floor area	2.53 m ²
Volume	5.77 m ³
Side wall height	234 cm
Ridge height	222 cm
Roof overhang	20 cm
Roof area	3.64 m ²
Single door W x H	84 x 196 cm
Double door W x H	124 x 196 cm
Roofing felt, optional	1 x 10 m
Roof shingles, optional (pack)	2



BARI 2 SILVER
**PRACTICAL STORAGE FOR ALL
 GARDEN EQUIPMENT**



BARI 2	
Item number	2854594
Base dimensions W x D	300 x 105 cm
Wall thickness	28 mm
Floor area	2.93 m ²
Volume	6.67 m ³
Side wall height	234 cm
Ridge height	222 cm
Roof overhang	20 cm
Roof area	4.32 m ²
Single door W x H	84 x 196 cm
Double door W x H	124 x 196 cm
Roofing felt, optional	1 x 10 m
Roof shingles, optional (pack)	2



A red garage with a white door and a red car inside. The garage has a gabled roof and a window. The car is a red Audi with the license plate 'LASITA'. The garage is surrounded by greenery and a gravel driveway.

GARAGES.

THE SECURE HOME FOR A CAR.

03

MODELS



16.4 m²

MAURITIUS BRONZE THE PRACTICAL GARAGE FOR A CAR.

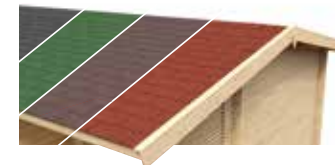


MAURITIUS	
Item number	287450
Base dimensions W x D	330 x 510 cm
Wall thickness	28 mm
Floor area	16.40 m ²
Volume	38.71 m ³
Side wall height	211 cm
Ridge height	262 cm
Roof overhang	30 cm
Roof area	22.40 m ²
Double door W x H	239 x 202 cm
Roofing felt	Included
Roof shingles, optional (pack)	9

APPROPRIATE ACCESSORIES

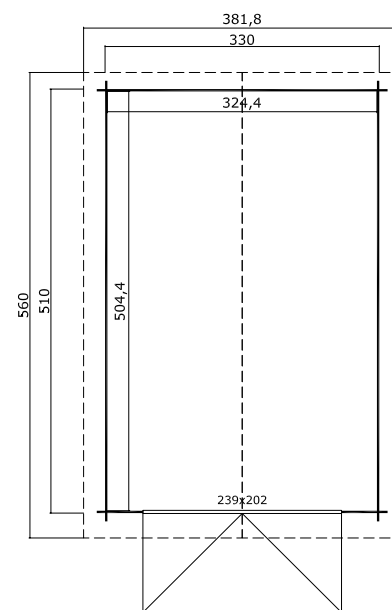


Premium roofing felt

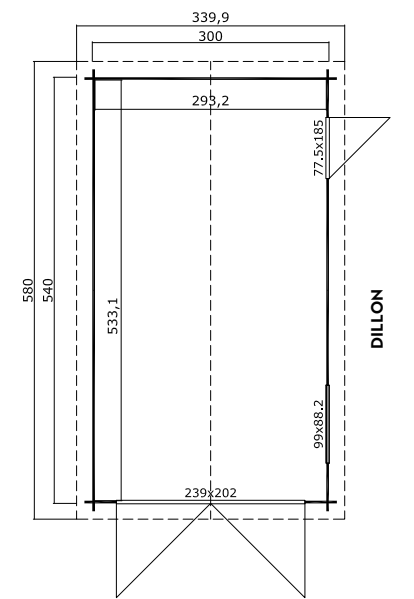


Roof shingles
in various colours

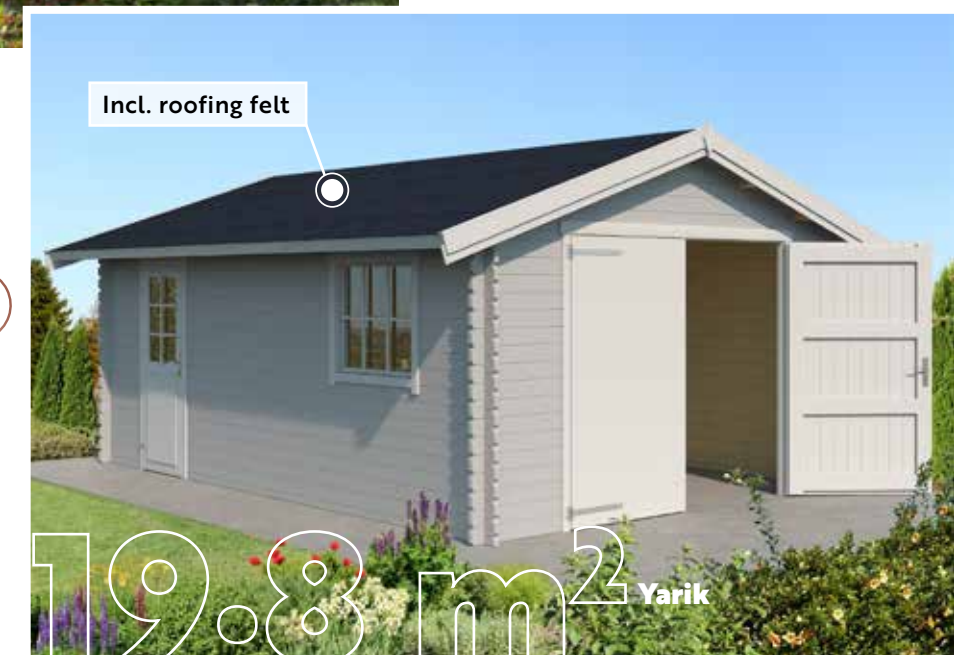
Other accessories
can be found from page 82.



15.6 m² Dillon



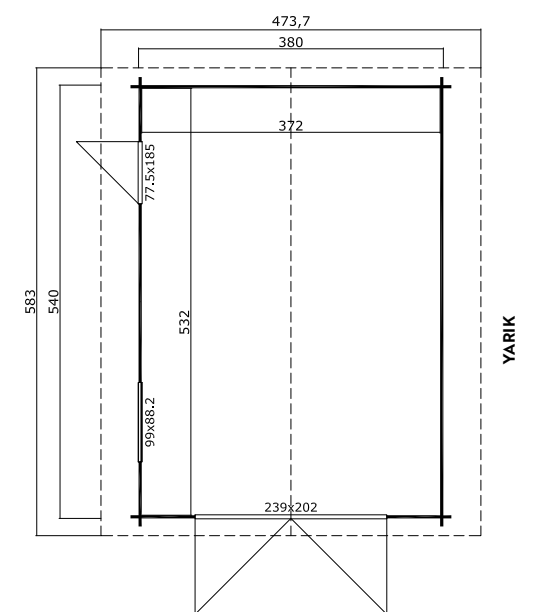
DILLON, YARIK BRONZE WITH SIDE DOOR AND LARGE WINDOW.



19.8 m² Yarik



	DILLON	YARIK
Item number	3415450	4015850
Base dimensions W x D	300 x 540 cm	380 x 540 cm
Wall thickness	34 mm	40 mm
Floor area	15.63 m ²	19.79 m ²
Volume	37.87 m ³	47.94 m ³
Side wall height	211 cm	211 cm
Ridge height	274 cm	274 cm
Roof overhang	20 cm	20 cm
Roof area	21.46 m ²	29 m ²
Wood garage door W x H	239 x 202 cm	239 x 202 cm
Single door W x H	78 x 185 cm	78 x 185 cm
Single window W x H	99 x 88 cm	99 x 88 cm
Roofing felt	Included	Included
Roof shingles, optional (pack)	9	11



ACCESSORIES.

UPGRADE YOUR GARDEN CABIN OR ADD SOME INDIVIDUAL TOUCHES. EXACTLY AS YOU WISH.

29

OPTIONS



DOORS

STANDARD SINGLE DOOR



STANDARD SINGLE DOOR	
Size	835 × 1957 mm
Wood type	Spruce
Item number	UK.2.056.TSVP. MM SGC
Suitable wall thickness	28 / 34 / 40 / 44 mm
Laminated wood	+
Mullions	+
Glazing	Single
Glass thickness	4 mm
U-value W/m ² K	5.6 W/m ² K
Silicone seal	-
Water drip	-
Opens	Outwards

MODERN SINGLE DOOR



MODERN SINGLE DOOR	
Size	835 × 1957 mm
Wood type	Spruce
Item number	UK.3.030. TMVP.MM MGC
Suitable wall thickness	28 / 34 / 40 / 44 mm
Laminated wood	+
Mullions	-
Glazing	Single (frosted glass)
Glass thickness	4 mm
U-value W/m ² K	5.6 W/m ² K
Silicone seal	-
Water drip	-
Opens	Outwards

STANDARD DOUBLE DOOR



ALL-GLASS DOUBLE DOOR



SOLID WOOD SINGLE DOOR



SOLID WOOD SINGLE DOOR	
Size	835 × 1975 mm
Wood type	Spruce
Item number	UL.2.100.IVP. MMW TP+
Suitable wall thickness	34 / 40 / 44 mm
Laminated wood	+
Mullions	-
Glazing	-
Glass thickness	-
U-value W/m ² K	-
Silicone seal	-
Water drip	-
Opens	Outwards

ALL-GLASS SINGLE DOOR



ALL-GLASS SINGLE DOOR	
Size	835 × 1957 mm
Wood type	Spruce
Item number	UK.1.100.TPVP. MM DGP+
Suitable wall thickness	34 / 40 / 44 mm
Laminated wood	+
Mullions	-
Glazing	Double (ISO)
Glass thickness	3 / 6 / 3 mm
U-value W/m ² K	3.3 W/m ² K
Silicone seal	+
Water drip	-
Opens	Outwards

MODERN DOUBLE DOOR



	STANDARD DOUBLE DOOR	ALL-GLASS DOUBLE DOOR	MODERN DOUBLE DOOR
Size	1588 × 1850 mm	1494 × 1957 mm	1588 × 1975 mm
Wood type	Spruce	Spruce	Spruce
Item number	TUK.2.056.TPVP. MMW DGP+	TUK.1.108.TSVP. MMb SGC	TUK.4.020.SVP. MM SGC
Suitable wall thickness	34 / 40 / 44 mm	28 / 34 / 40 / 44 mm	28 / 34 / 40 / 44 mm
Laminated wood	+	+	+
Mullions	+	+	-
Glazing	Double (ISO)	Single	Single
Glass thickness	4 / 8 / 4 mm	4 mm	4 mm
U-value W/m ² K	3.3 W/m ² K	5.6 W/m ² K	5.6 W/m ² K
Silicone seal	+	-	-
Water drip	-	-	-
Opens	Outwards	Outwards	Outwards

"REGENT PLUS" DOOR AND WINDOW HANDLE



Would you like to order an extra door? No problem! Customise your garden cabin with one of our additional doors. The doors can be ordered in the appropriate thickness and with DIN left or DIN right hinges to ensure that they fit your garden cabin perfectly.

Please do not hesitate to ask your specialist dealer about options and delivery times.

	HANDLE FOR WINDOW	HANDLE FOR DOOR
Item number	992100	992000

WINDOW

SINGLE WINDOW 1



SINGLE WINDOW 2



SINGLE WINDOW 3



DOUBLE WINDOW



MODERN SINGLE WINDOW



FLOOR-TO-CEILING SINGLE WINDOW



FLOOR-TO-CEILING DOUBLE WINDOW



SKYLIGHT (FIXED)



	SINGLE WINDOW 1	SINGLE WINDOW 2	SINGLE WINDOW 3	DOUBLE WINDOW
Size	685 × 882 mm	882 × 882 mm	710 × 1224 mm	1290 × 882 mm
Wood type	Spruce	Spruce	Spruce	Spruce
Item number	AK.1.106.TSSV.d SGC	AK.1.109.TPSP.b DGP+	AK.1.106.TSSP.SGC	TAK.1.106.TSSP.a SGC
Suitable wall thickness	28 / 34 / 40 / 44 mm	34 / 40 / 44 mm	28 / 34 / 40 / 44 mm	28 / 34 / 40 / 44 mm
Laminated wood	+	+	+	+
Mullions	+	+	+	+
Glazing	Single	Double (ISO)	Single	Single
Glass thickness	4 mm	4 / 8 / 4 mm	4 mm	4 mm
U-value W/m²K	5.6 W/m²K	3.3 W/m²K	5.6 W/m²K	5.6 W/m²K
Silicone seal	-	+	-	-
Water drip	Wood	Aluminium	Wood	Wood
Opens	Inwards	Inwards	Inwards	Inwards
Opening system	2-hand tilt&turn	2-hand tilt&turn	2-hand tilt&turn	2-hand tilt&turn

	MODERN SINGLE WINDOW	FLOOR-TO-CEILING SINGLE WINDOW	FLOOR-TO-CEILING DOUBLE WINDOW	SKYLIGHT (FIXED)
Size	525 × 1560 mm	560 × 1780 mm	1010 × 1780 mm	1500 × 410 mm
Wood type	Spruce	Spruce	Spruce	Spruce
Item number	AK.1.100.TPSP.j DGP+	AK.1.100.TPSP DGP+	TAK.1.100.TPM0.e DGP+	AK.1.100.TPM0.k DGP
Suitable wall thickness	34 / 40 / 44 mm	34 / 40 / 44 mm	34 / 40 / 44 mm	34 / 40 / 44 mm
Laminated wood	+	+	+	+
Mullions	-	-	-	-
Glazing	Double (ISO)	Double (ISO)	Double (ISO)	Double (ISO)
Glass thickness	4 / 8 / 4 mm	4 / 8 / 4 mm	4 / 8 / 4 mm	4 / 8 / 4 mm
U-value W/m²K	3.3 W/m²K	3.3 W/m²K	3.3 W/m²K	3.3 W/m²K
Silicone seal	+	+	+	+
Water drip	Aluminium	Aluminium	Aluminium	Wood
Opens	Inwards	Inwards	-	-
Opening system	2-hand tilt&turn	2-hand tilt&turn	2-hand tilt&turn	-

ACCESSORIES

STANDARD ROOFING FELT



Suitable for short-term use or as underlay for other roof coverings such as shingles or premium roofing felt, available in classic grey, on a 10 m² or 15 m² roll.

	ROLL 10	ROLL 15
Item number	261	262
Covering area	10 m ²	15 m ²

PREMIUM ROOFING FELT



High-quality polymer bitumen roofing felt – suitable for long-term, waterproof covering of roofs, available in 4 colours, on 15 m² roll.



	BLACK	RED	GREEN	BROWN
Item number	37449	37451	37452	37453
Covering area	15 m ²	15 m ²	15 m ²	15 m ²

ROOF SHINGLES



The 3-strip roof shingles are the most widely used roof shingles. They are easy to install and guarantee a stylish, high-quality appearance, available in the 4 most popular colours, 3 m² per pack.



	BLACK	RED	GREEN	BROWN
Item number	263	16274	16275	264
Covering area	3 m ²	3 m ²	3 m ²	3 m ²

FLOORS



	1.5 m ²	3 m ²
Item number	2827900	2828000
Floor area	1.5 m ²	3.0 m ²
Floorboards	18 mm	18 mm

ONDULINE



ONDULINE KSK-M is a cold self-adhesive roofing membrane with an aluminium top layer and a particularly high adhesive strength. It is easy, safe and quick to apply. The aluminium top layer offers outstanding protection against UV radiation and other environmental influences. The substrate must be dry, stable, frost-free, grease-free and resistant to abrasion. Does not stick to silicone. Unevenness, holes and similar must be levelled or filled. Dimensions 500 x 100 cm

	GREY
Item number	37470
Covering area	5 m ²

INFRARED HEATER



In Jura marble

Made of genuine Carrara-style marble

Harmony infrared heater: Beneficial infrared heat and healthy climate with state-of-the-art controls. Everything is possible, from a number of daily and weekly settings, frost protection or holiday mode to "open window detected". Simply install, plug in and feel really good. Connection voltage: 230 V, 50 Hz. When installing in a garden cabin, a non-combustible plate must be mounted between the heating panel and the wall as a base for the heater.

	JURA 500 WATTS	JURA 800 WATTS	CARRARA 500 WATTS	CARRARA 800 WATTS
Item number	M500-X018	M800-X006	C480-X014	C780-X010
Dimensions	50 x 60 x 2 cm	100 x 40 x 2 cm	50 x 60 x 2 cm	100 x 40 x 2 cm

PENT ROOF



	A 90 x 240	A 90 x 300	B 90 x 240	B 90 x 300
Item number	280700	285200	9901600	9901700
Wall thickness	-	-	19 mm	19 mm
Base dimensions W x D	90 x 240 cm	90 x 300 cm	90 x 240 cm	90 x 300 cm
Floor area	2 m ²	2.50 m ²	2 m ²	2.50 m ²
Volume	3.50 m ³	4.40 m ³	3.50 m ³	4.40 m ³
Side wall height	166 cm	166 cm	166 cm	166 cm
Ridge height	186 cm	186 cm	186 cm	186 cm
Roof area	2.60 m ²	3.30 m ²	2.60 m ²	3.30 m ²
Roof covering, optional	1 x 15 m	1 x 15 m	1 x 15 m	1 x 15 m
Roof shingles, optional (pack)	2	2	2	2



ACCESSORIES

TERRACES



	28 3013	40 3613	40 3913	40 48513
Item number	285300	4018600	4018700	4018800
Wall thickness	28 mm	40 mm	40 mm	40 mm
Dimensions W x D	300 x 120 cm	360 x 120 cm	390 x 120 cm	485 x 120 cm
Floor area	3.40 m ²	3.90 m ²	4.20 m ²	5.30 m ²
Floor	Included	Included	Included	Included

BAR



	BAR UNIT
Item number	991900
Dimensions W x D	190 x 65 cm
Height	102 cm

FLOWER BOX



	SINGLE WINDOWS
Item number	990600
Box width	84.6 cm

	DOUBLE WINDOWS
Item number	990800
Box width	125.4 cm

PAINT FOR REPAINTING

If you have bought a garden cabin that has already been painted by Lasita Maja, you can obtain the original paint for repainting from a well-stocked specialist shop.



© OSMO

GUTTERS



Gutter sets for garden cabins with a wall depth of 490 cm. Consisting of gutter, gutter connector, gutter bracket, end pieces, rainwater downpipe, pipe elbow, downpipe bracket, diameter 10 cm.

	SET A	SET A INCL. DOWNPIPE	SET B	SET B INCL. DOWNPIPE	SET C INCL. DOWNPIPE	SET D INCL. DOWNPIPE	SET E INCL. DOWNPIPE	SET F INCL. DOWNPIPE
Item number	35807	35808	35809	35810	35811	35812	35813	35814
For roof length	180 – 219 cm	180 – 219 cm	220 – 259 cm	220 – 259 cm	260 – 300 cm	301 – 349 cm	350 – 390 cm	400 – 490 cm

WINDOW SHUTTERS



Available for single or double windows

Window shutters for windows (cm)	540 x 540	685 x 882	770 x 770	770 x 990	882 x 882	882 x 990	882 x 1110	1290 x 882
Item number	994300	994400	994500	994600	994700	994800	994900	995000

All about the garden cabin GOOD TO KNOW.



What should I consider before ordering a garden cabin?

The assembly of a garden cabin is usually regulated by local authority regulations. Prior to ordering, enquire about the applicable regulations from your local authority. We will be happy to provide you with the relevant technical data sheets and also have static calculations available for many models.

How will my garden cabin be delivered?

We deliver our garden cabins and kits to our retail partners; on request also “free to the kerb” at your home.

Does my cabin need a foundation?

We recommend assembly on a firm foundation to which the garden cabin can also be attached. Ideally, you should create a foundation slab. This should be slightly smaller (1-2 mm/side) than the substructure.

What tools will I need for the assembly?

For correct assembly, you will need, among other things: Phillips and possibly Torx screwdriver,

cordless screwdriver, wood drill, power drill, universal pliers, Stanley knife, saw, inch rule, spirit level, string, hammer, pencil, possibly glue, possibly clamps and a ladder. At all times, when using tools, ladders etc., ensure safe handling and a secure footing. All the required screws and fittings are included in the kit.

What must I consider before assembling my garden cabin?

Read the assembly instructions and check the kit against the parts list for completeness, damage and integrity. Please note: Garden cabins and holiday homes made from wood are a natural product. Hairline cracks, gumming, knots and minor warping of the wood do not constitute grounds for complaint, as these are product-specific characteristics that do not affect the use of the product. Our blockboard assembly kits (exception: system and panel cabins) must not be screwed permanently into the walls or at the door. The boards remain “loosely” connected and must have the opportunity for flexible movement (lifting and lowering).

How can I complain about dam-

aged parts?

Complaints are accepted if they are made in writing within 14 days of delivery of the cabin. To do this, mark the relevant parts on the parts list and send this with the purchase receipt and assembly instructions (incl. control no.) to your dealer. They will process your complaint with us. A digital photo or presentation of the parts that you are not happy with serves as proof.

How do I ensure permanent protection of the garden cabin?

Our components are natural. Therefore, once assembled, you must paint the cabin, windows and doors on the interior and exterior with at least a colourless wood preservative. It is recommended that you use environmentally-friendly water-based products for this and refresh the protective coating at intervals of at least two years.

What form does the roofing of a garden cabin take?

If roof covering is included in the scope of delivery, we supply bitumen roofing felt for the initial covering. This should be renewed after approx. one year in order to maintain long-term rain protection. We also offer bitumen roof shingles in a high-quality and resilient form which protect the roof for a longer period of time. For our flat-roof models, we recommend our Onduline KSK-M roofing membrane as well as our gutter sets (see Accessories).

LASITA MAJA – Paint system CARE INSTRUCTIONS.

In order to enjoy your painted blockboard cabin for a long time, it is necessary to maintain the surface professionally on a regular basis. If you carry out this maintenance yourself, please read the general safety instructions in our assembly instructions and also the corresponding maintenance information. Should the surface incur minor damage during assembly or delivery, please use the paint supplied to repair this damage. This replacement paint is intended to repair small areas of mechanical damage or wood caps (spot repair) and not to paint large areas. Should you need paint for repainting, please contact your specialist dealer, they will be happy to help you.

It is important to clean the surface regularly. This will significantly extend the life of your product. Inspect your garden cabin every year for possible dirt, algae growth, damage, delamination or paint degradation. It is also important to keep the paint surface free of vegetation or plants. They prevent adequate ventilation and lead to moisture build-up. Pay particular attention to the sides facing the sun. These are exposed to more UV radiation and may need more attention.



MAINTENANCE / REPAINTING:

1. Clean the surfaces to be maintained with an appropriate cleaning agent.
2. Remove loose or porous layers of paint, preferably with a suitable abrasive material.
3. Apply the maintenance coat with a suitable brush. Ensure the paint is applied thickly and evenly.
4. Allow the paint to dry well (at least 48 h).
5. Apply a second coat to the renewed surface (attention, little paint absorption!), thereby protecting the surface.

If you carry out this maintenance correctly, you will enjoy your garden cabin for many years.

If you have any questions, please do not hesitate to contact us or your specialist dealer.



© LASITA MAJA VERSION EN

The dimensions specified in the catalogue are approximate. The actual dimensions may differ slightly. We reserve the right to make technical changes to the benefit of our products, along with small design modifications. No liability for printing errors.